



USER's MANUAL

دليل المستخدم

TREADMILL

جهاز الجري

EM-1222



IMPORTANT!

PLEASE READ THIS MANUAL CAREFULLY
BEFORE USING THIS DEVICE.
RETAIN THIS MANUAL FOR FUTURE
REFERENCE.

مهم!

يرجى قراءة هذا الدليل بعناية قبل استخدام هذا الجهاز.
احتفظ بهذا الدليل للرجوع إليه في المستقبل.

Table Of Content

Warning	3
Features	3
Precautions	3
Important Safety Precautions	4
Assembly Instructions	6
Grounding Methods	9
Technical Parameters	9
Operation Instructions	10
Troubleshooting	14
Exercise Instructions	15
Maintenance Instructions	16
Exploded Drawing	18
Parts List	19

Warning

Read all instruction carefully before use this product. Retain this owner's manual for the future's reference:

- When using this treadmill, keep attaching the safety pull pin rope to your clothes.
- When you are running, keep your hand swinging natural, stare forward, never look down at your feet.
- Add the speed step by step when running.
- When emergency happens, take away the "emergent stop button" immediately.
- Leave the treadmill after the running belt stop stably.

Caution: Read the assembly instruction carefully, follow the instruction when assemble.

Features

Congratulations on choosing the motorized treadmill. You have taken the first step to a healthier and more rewarding lifestyle.

The treadmill is especially designed to meet your needs. The following are the features of the treadmill.

- Speed Range: 0.8~14.0 KM/H
- 2 levels manual incline
- Hand pulse
- 12 pre-programs
- Input voltage: 220-240V 50/60HZ
- The frame lies low on the ground to ensure a more stable and safer experience.
- This foldable treadmill also has wheels to make it even easier to move.
- Different programs to help you achieve your fitness goals.
- Fixed speed settings to make for a more convenient workout.
- Maximum weight of User: 110KGS.

Precautions

- Before starting any exercise program, consult with your physician or health professional.
- Check all the bolts locked.
- Never put the treadmill in the wetness area, or it will cause troubles.
- We take no responsibility for any troubles or hurts due to above reasons.
- Dress sport clothes and shoes before running.
- Do not do exercise in 40 minutes after meal.

- To prevent hurts, please warm up before exercise.
- Consult with doctor before exercise if you have high blood pressure.
- The treadmill is only used for adults.
- Provide the olds, children and handicapped with good care, guide and supervision.
- Do not plug anything into any parts of this equipment, or it may damage.
- Do not connect line to the middle of cable; do not lengthen cable or change the cable plug; do not put any heavy thing on cable or put the cable near the heat source; forbid using socket with several holes, these may cause fire or people may be hurt by the power.
- Cut off the power when the equipment is not used. When the power is cut off, do not pull the power line to keep the wire unbroken.
- Pulse monitor data may not be accurate, which cannot be used for medical purpose. Over-exercise may cause injury, even death. If you have a feeling of dizziness, sickness or other abnormal symptoms, please stop training and consult a doctor immediately.









Important Safety Precautions

- Plug the power cord of the treadmill directly into a dedicated grounded circuit. This product must be grounded. If it has breakdown, grounding provides a path of least resistance for electric current to reduce the risk of electric shock.
- Position the treadmill on a clear, level surface. Do not place the treadmill on thick carpet as it may interfere with proper ventilation. Do not place the treadmill near water or outdoors.
- Position treadmill so that the wall plug is visible and accessible.
- Never start the treadmill while you are standing on the walking belt. After turning the power on and adjusting the speed control, there may be a pause before the walking belt begins to move, always stand on the foot rails on the sides of the frame until the belt is moving.
- Wear appropriate clothing when exercising on the treadmill. Do not wear long, loose fitting clothing that may be caught in the treadmill. Always wear running or aerobic shoes with rubber soles.
- Make sure the power supply is connected and the safety lock is effective before using the treadmill. Fit one side of the safety lock on the treadmill and clip the other side on your clothes or belt, which will enable you to pull off the safety lock promptly in an emergency.
- Always unplug the power cord before remove the treadmill motor cover.
- Make sure there is no less than 2*1m free space behind the treadmill.

- Keep small children away from the treadmill during operation.
- Always hold the handrails when initially walking or running on the treadmill, until you are comfortable with the use of the treadmill.
- Always attach the safety pull pin rope to your clothing when using the treadmill. If the treadmill should suddenly increase in speed due to an electronics failure or the speed being inadvertently increased, the treadmill will come to a sudden stop when the pull pin is disengaged from the console.
- In case of any Abnormality during the use process, please remove the safety lock immediately, grasping the handlebar and jumping onto the two edgings, then get off the treadmill after it stops.
- When the treadmill is not being used, the power cord should be unplugged and the safety pull pin removed.
- Put the safety key away from reach of the children. Minors must be accompanied by the adults when using the treadmill.
- Before starting any exercise program, consult with your physician or health professional. He or she can help establish the exercise frequency, intensity (target heart zone) and time appropriate for your particular age and condition. If you have any pain or tightness in your chest, an irregular heartbeat, shortness of breath, feel faint or have any discomfort while you exercise, STOP! Consult your physician before continuing.
- If you observe any damage or wear on the mains plug or on any section of the mains lead then please have these replaced immediately by a qualified electrician – do not attempt to change or repair these yourself.
- If the supply cord is damaged, it must be replaced by the manufacturer, its service agent or similarly qualified persons in order to avoid a hazard.
- Put your feet on the side rail before using the treadmill, and always attach the safety pull pin rope to your clothing. Hold the handle bar before the running belt moving well (feel the running speed by your single foot before using it). To avoid loss balance, please slow down the speed to the lowest or take off the safety. And hold the handle bar to jump to the side rail when emergency or the safety key is not attached.
- Make sure to unplug the power cord and the treadmill has completely stopped before folding. Please don't operate it after folding the treadmill.

Assembly Instructions

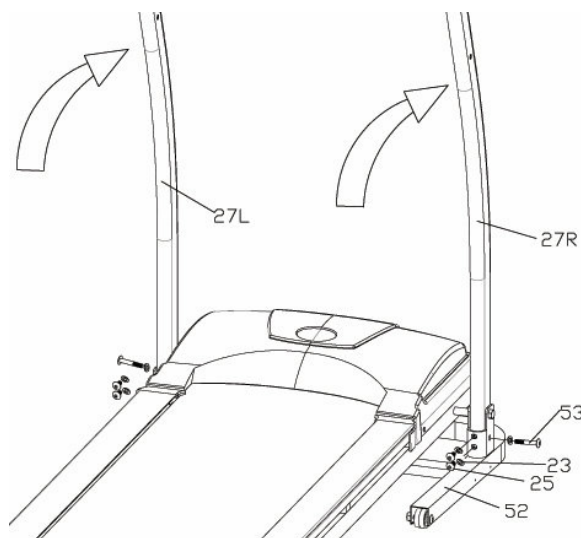
Hardware Packing List:

Part # Description	Quantity (PCS)	Part # Description	Quantity (PCS)
M8x16 mm. Bolt 	10	∅ 4x15mm Bolt 	4
M8x45 mm. Bolt 	2	Safety key 	1
M8x50 mm. Bolt 	2	Allen wrench 	1
M8 Clock Washer (∅ 15x∅ 8.4xT0.8) 	14	Silicone Oil 	1

NOTE: Above-described parts are all the parts you need to assemble this treadmill. Before you start to assemble, please check the hardware packing to make sure they are included. Please find tools in the hardware pack to help you assemble this treadmill easier.

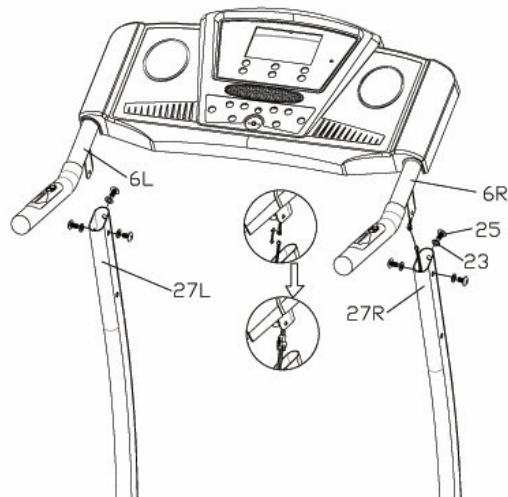
Step 1:

- Lift the side posts (27 L&R), use the supplied screws (25,53) and washers (W23), to fix the post to the base frame (52).



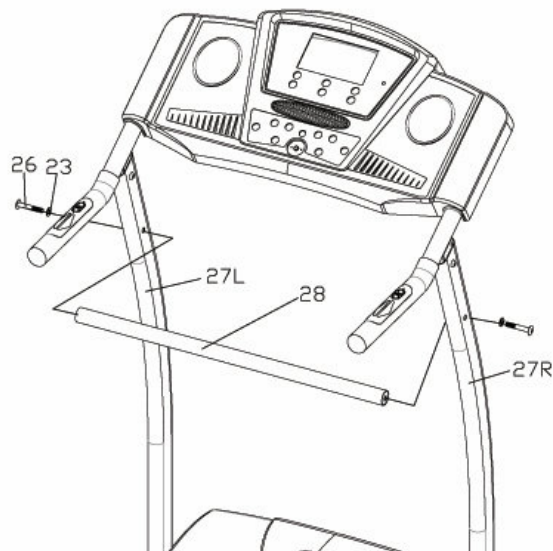
Step 2: Assemble the console

- First, Connect the cable in the right post.
- Second, Lift the console (6L&R) and place it in correspondence to the pre-drilled holes on the side posts (27).
- Third, Use the supplied screws (25) and washer (23) to fix the console with the side posts.



Step 3: Assemble the Center bar.

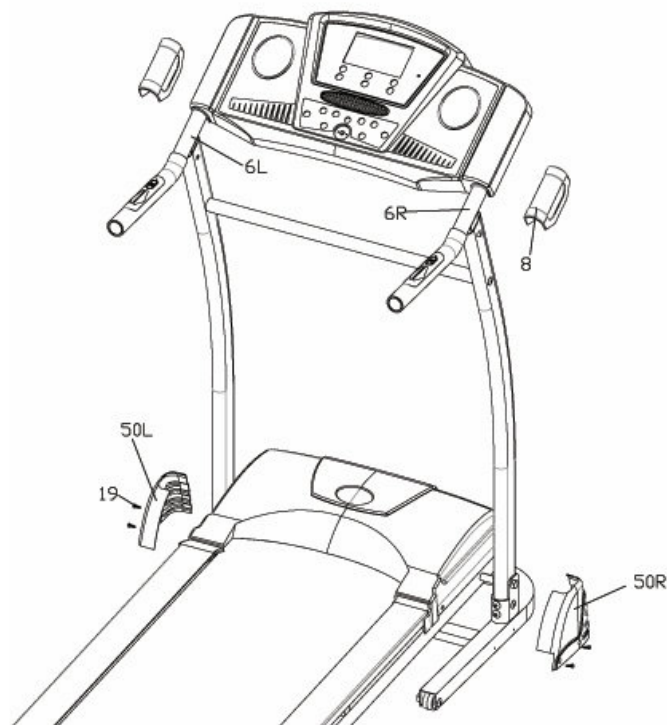
- Use the supplied screw (26) and washer (23) to fix the center bar (28) to the side posts (27)



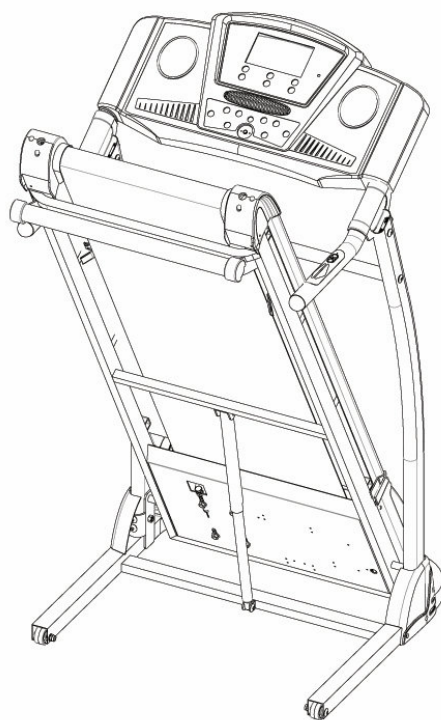
Step 4:

Assemble the handrail cover and post bar cover

First, Lift the handrail cover (8) and place it in correspondence to the handrail (6).
Second, Use the supplied screw (19) to fix the post bar cover (50L&R) to the side posts.



Foldable Picture



Grounding Methods

This product must be grounded. If it should malfunction or breakdown, grounding provides a path of least resistance for electric current to reduce the risk of electric shock.

This product is equipped with a cord having an equipment-grounding conductor and a grounding plug. The plug must be plugged into an appropriate outlet that is properly installed and grounded in accordance with all local codes and ordinances.

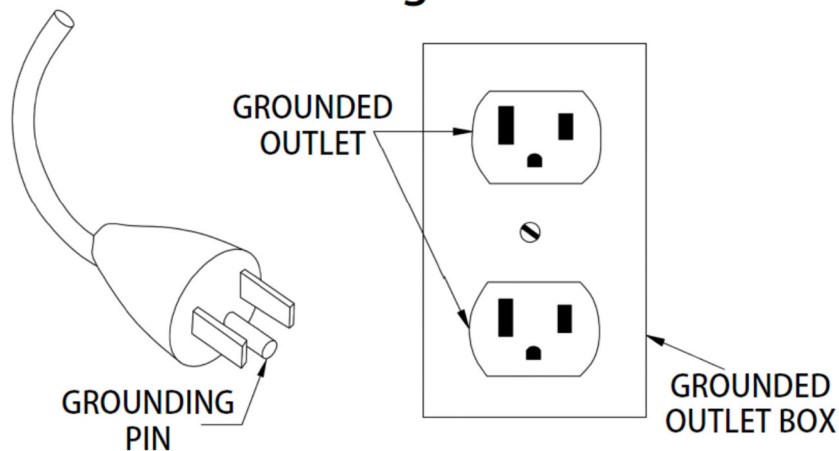
DANGER – Improper connection of the equipment-grounding conductor can result in a risk of electric shock. Check with a qualified electrician or serviceman if you are in doubt as to whether the product is properly grounded.

Do not modify the plug provided with the product – if it will not fit the outlet, have a proper outlet installed by a qualified electrician.

This product is for use on a nominal 220-Volt circuit and has a grounding plug that looks like the plug illustrated in below figure. Make sure that the product is connected to an outlet having the same configuration as the plug.

No adapter should be used with this product.

Grounding Methods

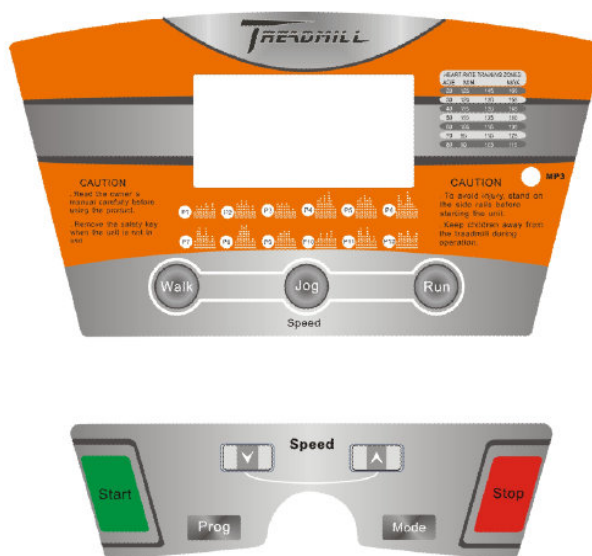


Technical Parameters

ASSEMBLY SIZE (mm)	160 x 72 x 133 cm	POWER	2.0 HP
FOLDING SIZE (mm)	72 x 32 x 142 cm	MAX OUTPUT POWER	4.0 HP
RUNNING SURFACE SIZE (mm)	121 x 43 cm	INPUT CURRENT	220 V
NET WEIGHT	46 KG	SPEED RANGE	0.8 - 14 KM/H
MAX USER'S WEIGHT	110KG	INCLINE	Manual 2%

Operation Instructions

1. Console Panel Display



2. KEY FUNCTION:

2.1 “START” “STOP”: RUNNING, STOP button, at the readiness state, turn on the treadmill; at the running state, suspend the treadmill, and preserve the data;

2.2 PROGRAM: Mode choice button, at the stopping state, select loop (P1、P2、P3、...P12) as following:

2.3 MODE: mode button at the setting state, select the countdown time, countdown distance and countdown calories circularly. when you choose the mode, you can use speed+ and speed- setting the countdown data, when you have finished setting, press the “START” you can running the machine.

2.4 SPEED+”: speed + button, at the running state, press it will be add 0.1KM/H every time ,press it for a long time ,it will add the speed constantly;

2.5 SPEED-“: speed – button, at the running state, press it will decrease 0.1KM/H every time, press it for a long time, it will decrease the speed constantly.

2.6 “Walking ” ”Jog” ”Run” : at the running state, Press the function key “Walking ” (3km/h) ”Jog” (6km/h) ”Run” (9km/h) , you can choose different function you want

3. PROGRAM

3.1 Speed display ; at the setting state ,it will show p1-P12 program, at the running state, it will show speed rage; 0.8-14km/h.

3.2 Countdown time training mode :at the stopping state ,press “MODE” button ,enter setting state ,the time window display flash, default display 30:00, press SPEED+,- button amend the setting value .The setting range:5—99 minutes .Press “START” button and startup the treadmill. when the countdown time is 00:00 ,the treadmill stop running automatically .

3.3 Countdown distance training mode: at the stopping state ,press “MODE” button ,enter setting state, the distance window flash display , default display 5.0KM ,press SPEED+,-button and amend setting value ,setting range: 0.5—99.0KM. Press “START” button to startup treadmill ,as the speed 0.8KM/H to start to run, press SPEED+,- to adjust the speed .When countdown distance is 0.0 ,treadmill stop running automatically.

3.4 Countdown calories training mode: at the stopping state , press “MODE” button for three times ,enter the setting state ,the calories window display flash ,default display 100CAL, press SPEED+,-button to amend setting value ,setting range:20—990CAL. Press “START/STOP” button to startup treadmill , as the speed 0.8KM/H to start to run, press the SPEED+,- to adjust speed. When Countdown calories is 0,treadmill will stop running automatically.

3.5 “PUL” : it will test the heart rate when your both hands hold the rate sensor. and it will show the data on the display, heart rate range:50-250 per minute.(the data just for reference not medical data)

3.6 Now input program mode, the program mode have P1-P12 in all, please press program key separately you can choose you desired and the time window will flash.

enter setting state ,the time window display flash, default display 30:00, press The setting range:5—99 minutes SPEED+,- button amend the setting the time .Press “START” button and startup the treadmill. when the countdown time is 00:00 ,the treadmill stop running automatically .Press speed +,- can change the program data during running.

Program List

program minutes		Set minutes/ 10 = the time of each level									
		1	2	3	4	5	6	7	8	9	10
P1	SPEED	2	4	3	4	3	5	4	2	5	3
P2	SPEED	2	5	4	6	4	6	4	2	4	2
P3	SPEED	2	5	4	5	4	5	4	2	3	2
P4	SPEED	3	6	7	5	8	5	9	6	4	3
P5	SPEED	3	6	7	5	8	6	7	6	4	3
P6	SPEED	2	8	6	4	5	9	7	5	4	3
P7	SPEED	2	6	7	4	4	7	4	2	4	2
P8	SPEED	2	4	6	8	7	8	6	2	3	2
P9	SPEED	2	4	5	5	6	5	6	3	3	2
P10	SPEED	2	3	5	3	3	5	3	6	3	3
P11	SPEED	2	6	7	4	4	7	4	2	4	2
P12	SPEED	2	5	5	4	4	6	4	2	3	4

4. Quick start (manual mode)

4.1. press power switch ,put the safe key to correct place.

4.2 press “START” button, the system into 3 seconds countdown time, the buzzer sounds ,the time display will show countdown time at the same time .3 seconds later the machine will start to running with 0.8km/h.

4.3 at the running state, press “SPEED+””SPEED-“ adjust the speed according to your request.

5. Manual mode

5.1 at the alert state, press "START" button, the machine start to running with 0.8km/h, other display window start to count data, Press "SPEED +", "SPEED-" change the speed.

5.2 at the alert state Press "MODE" button into countdown time, The "TIME" display "30:00" and flash, press "SPEED+" "SPEED-" setting running time, time setting range:5:00-99:00.

5.3 at the countdown time mode, press "MODE" into countdown distance mode, The "DISTANCE" display "5.0" and flash, Press "SPEED+" "SPEED-" set running distance, distance setting range:0.5-99.

5.4 at the countdown distance mode, press "MODE" into countdown calorie mode, "CAL" display "100" and flash, press "SPEED+" "SPEED-" setting calorie, Calorie setting range:20-990.

5.5 Choose one mode of above three modes to setting, then press "START" ,3 seconds later ,the machine will start to running, Press "SPEED+" "SPEED-"adjust speed, Press " STOP" ,the machine stop running.

6. Build-in Program

There are 12 build-in program(P1-P12),at the ready state, Press "PROGRAM" button, "SPEED " display "P1-P12" ,After you choose one program mode, the "TIME" display flash at the same time; display preset time 30:00,Press "SPEED+" "SPEED-" setting running time, then press "START" startup build-in program, there are 10 levels of build-in program, each program level = setting time/10 . The system will sound "Bi-Bi-Bi" to remind you into next program level mode ,the speed will change when the program level mode change, at the running state you can press "SPEED+" "SPEED-" change speed, but this program level speed will recovered when into next program level mode. after finish the program level mode, the system will sound "Bi-Bi-Bi" to remind, the the machine speed down smoothly and stop working, display "END".5 seconds later the machine into alert state.

7. BODY FAT TEST

7.1 At the setting state, Continuous press “program” into body fat text (FAT), then press “mode” button, Windows will show “F-1, F-2, F-3, F-4, F -5”.

(F-1---Gender, F-2---Age, F-3---Height, F-4---weight, F-5, Fat test)

Press ”Speed+” ”Speed-“ button to setting “F-1 to F-4”(please reference below list),

After finished setting, press ”mode” button, windows will show into “F-5” ,keep both hands on the hand pulse for 2-3 seconds, windows will show your Fat data, please check whether your height and weight correspond. FAT text is just measure the inner relationship between height and weight not for body proportion.

FAT texting is suit for all the female and male, it is same as other health indicator providing help people to adjust weight .The best FAT data is between 20 to 25 range, if FAT data less than 19 means too slim, if FAT data between 25 to 29 means over weight, if the data more than 30 means too fat.(This data just for reference not for medical data.)

F--1	Gender	01(man)	02(woman)
F--2	Age	10-----99	
F--3	Height	100-----200	
F--4	Weight	20-----150	
F--5	FAT	≤ 19	Underweight
	FAT	= (20--25)	Normal weight
	FAT	= (26--29)	Overweight
	FAT	≥ 30	Obesity

8. OPERATION INSTRUCTION

1. PREPARATION BEFORE START

1.1 Plug in the power cord and press the power key at the down front part of the machine. If the machine is not operated or moved for a long time, please turn off the power.

1.2 Nip the safe key on the clothes and put the switch of magnet into the computer. If the safety magnet is not put into the assigned location, then the machine will not work.

2. START

2.1 Press START/STOP, the machine begins to work with starting speed 1.0KM/h

2.2 Press SPEED can control the speed, with one press 0.1 KM/h will be increased or decreased. Press the key without stop can get to the speed you want. The highest speed is 12KM/h while the lowest is 1.0 KM/h.

3. TWO WAYS TO STOP THE MACHINE

3.1 Pulling the safe key will put a quick stop to the machine which will beep. Before restart, please put the yellow magnet to the original place.

3.2 Press START/STOP, the machine will stop working

Troubleshooting

Error Code	Potential Reasons	Solutions
E01	Display panel doesn't receive signal	Check connections and cables; restart display.
E03	Over Voltage	Verify power supply; check for surges; inspect circuits.
E04	Over Current	Reduce load; check wiring for shorts; reset circuit breakers.
E05	Over Weight	Reduce load; check and recalibrate weighing sensors.
E06	Motor Connection	Inspect motor wiring; ensure secure connections.
E07	Controller doesn't receive signal	Check communication cables; restart controller.

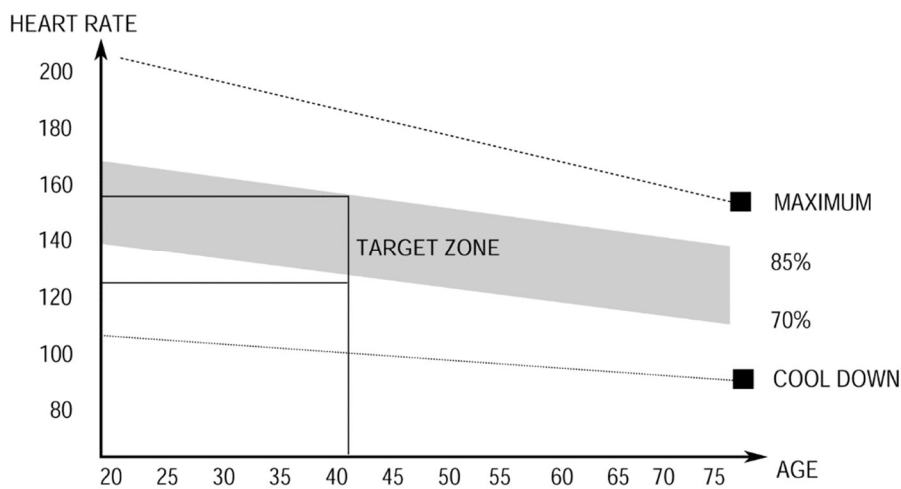
Exercise Instructions

1. The Warm Up Phase

This stage helps get the blood flowing around the body and the muscles working properly. It will also reduce the risk of cramp and muscle injury. It is advisable to do a few stretching exercises as shown below. Each stretch should be held for approximately 30 seconds, do not force or jerk your muscles into a stretch - if it hurts, **STOP**.

2. The Exercise Phase

This is the stage where you put the effort in. After regular use, the muscles in your legs will become Stronger. Work to your but it is very important to maintain a steady tempo throughout. The rate of work should be sufficient to raise your heart beat into the target zone shown on the graph below.



This stage should last for a minimum of 12 minutes though most people start at about 15-20 minutes

3. The Cool Down Phase

This stage is to let your Cardio-vascular System and muscles wind down. This is a repeat of the warm up exercise e.g. reduce your tempo, continue for approximately 5 minutes. The stretching exercises should now be repeated, again remembering not to force or jerk your muscles into the stretch.

As you get fitter you may need to train longer and harder. It is advisable to train at least three times a week, and if possible space your workouts evenly throughout the week.

To tone muscle while on your Treadmill you will need to have the resistance set quite high. This will put more strain on our leg muscles and may mean you cannot train for as long as you would like. If you are also trying to improve your fitness you need to alter your training program. You should train as normal during the warm up and cool down phases, but towards the end of the exercise phase you should increase resistance, making your legs work harder than normal. You may have to reduce your speed to keep your heart rate in the target zone.

The important factor here is the amount of effort you put in. The harder and longer you work the more calories you will burn. Effectively this is the same as if you were training to improve your fitness, the difference is the goal.

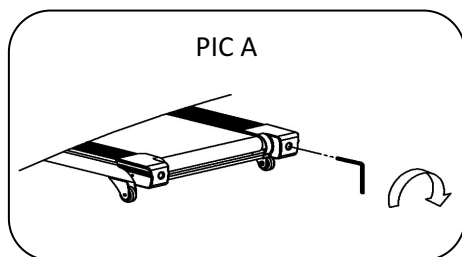
Maintenance Instructions

WALKING BELT TENSION ADJUSTMENT AND CENTERING

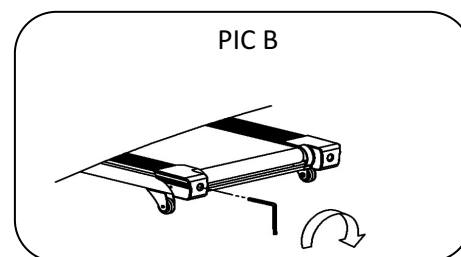
DO NOT OVERTIGHTEN the walking belt. This may cause reduced motor performance and excessive roller wear.

TO CENTER WALKING BELT

- Place treadmill on a level surface
- Run treadmill at approximately 3.5 mph
- If the running belt is too far to the right side, use the supplied Allen wrench to turn the right tension bolt **clockwise** slowly, noticing the change of the deviating distance until the belt remains centered during use. (Attention: the space between the belt and the right/left edgings is at a distance normally. And the gap between the right and left distance should be no more than 5mm.)
- If the running belt is too far to the left side, turn the left tension bolt **clockwise** slowly, noticing the change of the deviating distance until the belt remains centered during use. (Attention: the space between the belt and the right/left edgings is at a distance normally. And the gap between the right and left distance should be no more than 5mm.)



IF THE BELT IS TOO FAR TO THE RIGHT SIDE



IF THE BELT IS TOO FAR TO THE LEFT SIDE

TENSIONING THE BELT

If you can feel a slipping sensation when running on the treadmill, the running belt must be tightened.

In most cases, the belt has stretched from use, causing the belt to slip. This is a normal and common adjustment. To eliminate this slipping, tension both the rear roller bolts with the appropriate size allen wrench, turning it **1/4 TURN** to the right as shown. Try the treadmill again to check for slipping.

Repeat, if necessary, but **NEVER TURN** the roller bolts more than **1/4 turn** at a time. The belt tension is set properly when the running belt is **50 - 75mm** from the deck.

WARNING: ALWAYS UNPLUG THE TREADMILL FROM THE ELECTRICAL OUTLET BEFORE CLEANING OR SERVICING THE UNIT.

CLEANING

General cleaning of the unit will greatly prolong the treadmill. Keep treadmill clean by dusting regularly. Be sure to clean the exposed part of the deck on either side of the walking belt and also the side rails. This reduces the buildup of foreign material underneath the walking belt.

The top of the belt may be cleaned with a wet, soapy cloth. Be careful to keep liquid away from inside the motorized treadmill frame or from underneath the belt.

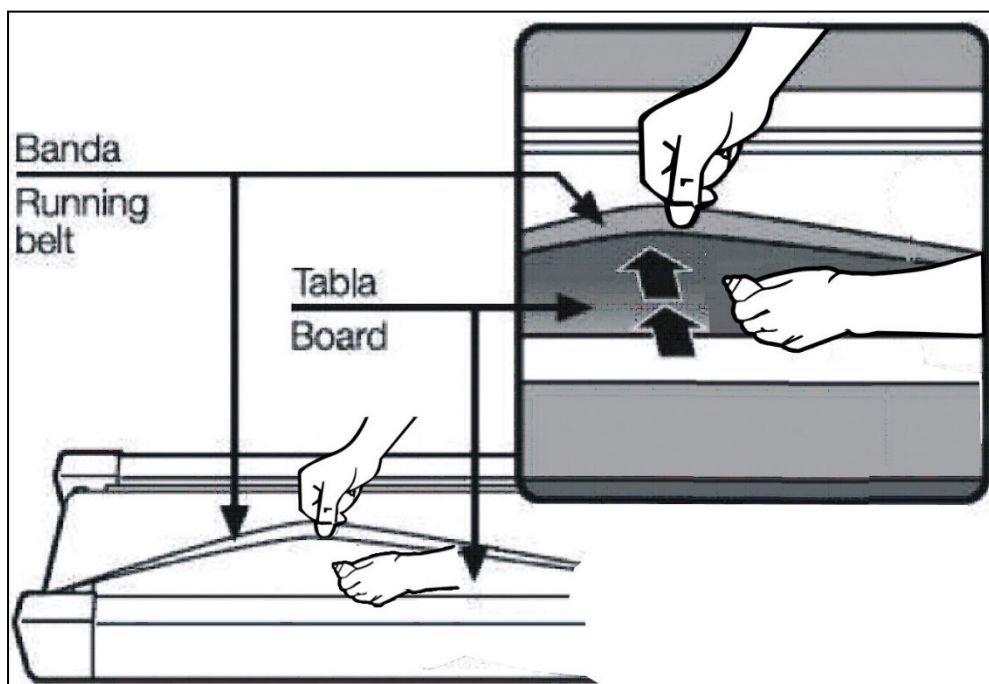
Warning: Always unplug the treadmill from the electrical outlet before removing the motor cover. At least once a year remove the motor cover and vacuum under the motor cover.

RUNNING BELT AND DECK LUBRICATION

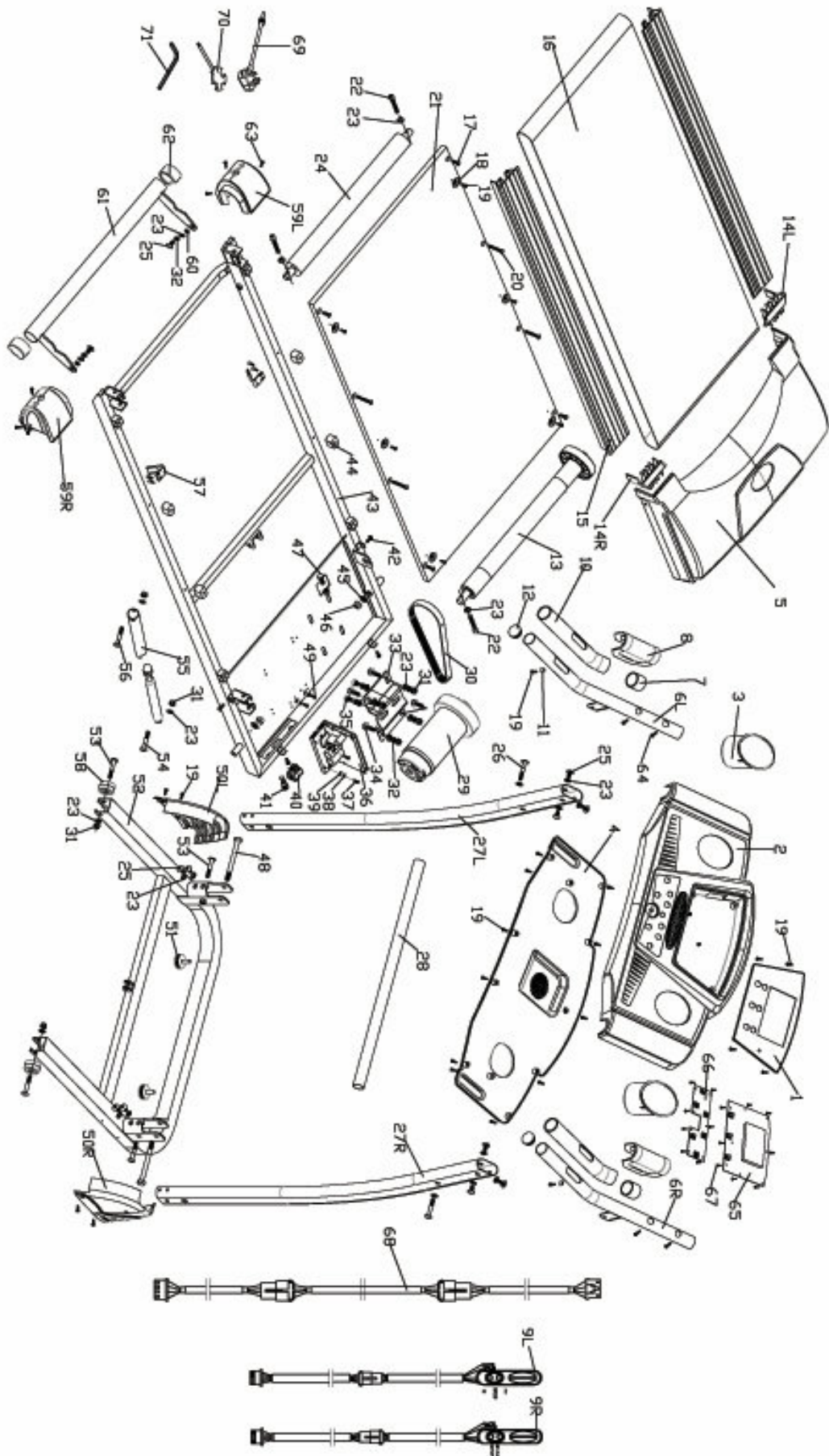
This treadmill is equipped with a pre-lubricated, low maintenance deck system. The belt/ deck friction may play a major role in the function and life of your treadmill, thus requiring periodic lubrication. We recommend a periodic inspection of the deck.

We recommend lubrication of the deck according to the following timetable:

- Light user (less than 3 hours/ week) annually
- Medium user (3-5 hours/ week) every six months
- Heavy user (more than 5 hours/ week) every three months



Exploded Drawing



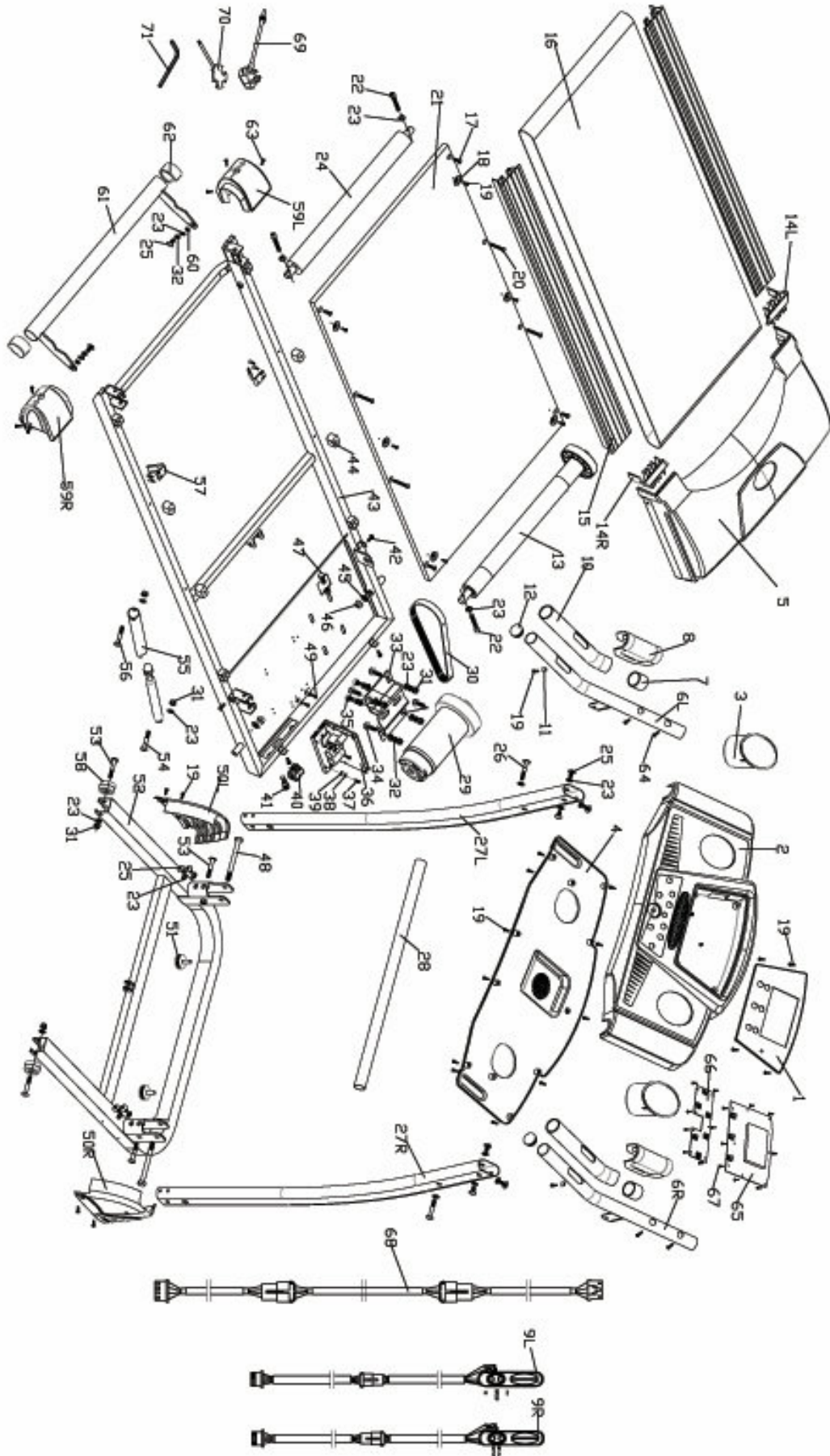
Parts List

No.	Description	Qty	No.	Description	Qty
1	console	1	37	running deck	1
2	computer	1	38	M8*55 Round Head Screw	3
3	water cup frame	2	39	plane washer	23
4	computer board	1	40	back roller	1
5	motor cover	1	41	M8*15 Round Head Screw	12
6	side handler bar	2	42	M8*50 Round Head Screw	2
7	foam 1	2	43	upright	2
8	Plastic Cover for Handlebar.	2	44	center bar	1
9	Hand Pulse Slice	2	45	kick Gas Spring	1
10	foam 2	2	46	M8*50 Round Head Screw	1
11	insulating tub	2	47	steel plate for belt	2
12	φ 32 Square Plug	2	48	Moving Wheel	2
13	front roller	1	49	rear cap	2
14	Side Rail Cap	2	50	tube	2
15	side rail	2	51	Adjusting bracket	1
16	φ 4.2*9.8*0.8 washer	4	52	Adjustable Foot Pad	2
17	Power Switch	1	53	φ 4*13 screw	6
18	Fuse Set	1	54	4*25 screw	4
19	M5*16 screw.	4	55	up control board	1
20	frame	1	56	button board	1
21	Bumper	4	57	3*7 screw	16
22	M10 washer	2	58	control line	1
23	M10 nut	2	59	motor	1
24	M8*25 screw	1	60	power line	1
25	M10*110 screw	2	61	motor belt	1
26	M4*12 Pein Phillips Screw	2	62	M8 Nut	8
27	Upright Cap	2	63	spring washer	8
28	Adjustable Foot Pad M8	2	64	motor seat	1
29	pedestal	1	65	M8*25 Anti skidding Screw	4
30	M8*50 Round Head Screw	4	66	M8*12 Round Head Screw	2
31	M8*35 Round Head Screw	1	67	Motor Control Unit (MCU)	1
32	running belt	1	68	M4*15 screw.	2
33	M6*20 screw	4	69	φ 5.1 φ 9.2*1.5 spring washer	4
34	side cover fixer	6	70	wrench	1
35	φ 4*16 screw	29	71	wrench	1
36	M6*45 screw	4			

قائمة الأجزاء

رقم	وصف	كمية	رقم	وصف	كمية
1	وحدة التحكم	1	37	تشغيل سطح السفينة	1
2	حاسوب	1	38	M8 * 55 برغي برأس مستدير	3
3	إطار كوب ماء	2	39	غسالة الطائفة	23
4	لوحة الكمبيوتر	1	40	الأسطوانة الخلفية	1
5	غطاء المحرك	1	41	M8 * 15 برغي برأس مستدير	12
6	شريط المعالج الجانبي	2	42	M8 * 50 برغي برأس مستدير	2
7	رغوة 1	2	43	تستقيم	2
8	غطاء بلاستيكي للمقود.	2	44	شريط الوسط	1
9	شريحة نبض اليد	2	45	ركلة ربيع الغاز	1
10	رغوة 2	2	46	M8 * 50 برغي برأس مستدير	1
11	حوض عازل	2	47	لوحة الصلب للحزام	2
12	φ32 التوصيل المربع	2	48	عجلة متحركة	2
13	الأسطوانة الأمامية	1	49	الغطاء الخلفي	2
14	غطاء السكك الحديدية الجانبية	2	50	أنبوب	2
15	السكك الحديدية الجانبية	2	51	تعديل قوس	1
16	غسالة 4.2*9.8*0.8 φ	4	52	وسادة قدم قابلة للتعديل	2
17	مفتاح الطاقة	1	53	φ4*13 المسمار	6
18	مجموعة الصمامات	1	54	25*4 برغي	4
19	برغي M5*16.	4	55	أعلى لوحة التحكم	1
20	إطار	1	56	لوحة زر	1
21	الوفير	4	57	7*3 المسمار	16
22	M10 غسالة	2	58	خط التحكم	1
23	M10 الجوز	2	59	محرك	1
24	برغي M8*25	1	60	خط الكهرباء	1
25	برغي M10*110	2	61	حزام المحرك	1
26	برغي باين فيليبس M4*12	2	62	M8 الجوز	8
27	تستقيم كاب	2	63	غسالة الربيع	8
28	وسادة قدم قابلة للتعديل M8	2	64	مقعد المحرك	1
29	قاعدة التمثال	1	65	M8*25 ضد المسمار الانزلاقي	4
30	M8 * 50 برغي برأس مستدير	4	66	M8 * 12 برغي برأس مستدير	2
31	M8 * 35 برغي برأس مستدير	1	67	وحدة التحكم في المحرك (MCU)	1
32	حزام الجري	1	68	برغي M4*15.	2
33	برغي M6*20	4	69	5.1φ 1.5*9.2φ غسالة زنبركية	4
34	مثبت الغطاء الجانبي	6	70	وجع	1
35	φ4*16 المسمار	29	71	وجع	1
36	برغي M6*45	4			

رسم متفجر



تنظيف

سيؤدي التنظيف العام أو الوحدة إلى إطالة عمر جهاز المشي بشكل كبير. حافظ على نظافة جهاز المشي عن طريق إزالة الغبار عنه بانتظام. تأكد من تنظيف الجزء المكشوف من السطح الموجود على جانبي سير المشي وكذلك القضبان الجانبية. وهذا يقلل من تراكم المواد الغريبة أسفل سير المشي.

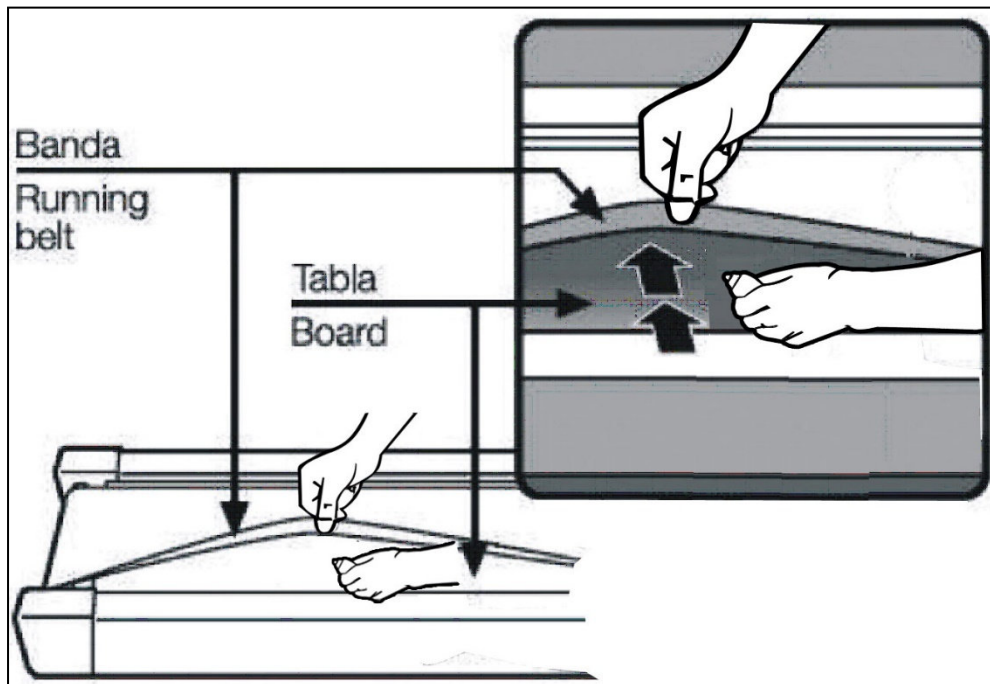
يمكن تنظيف الجزء العلوي من الحزام بقطعة قماش مبللة بالصابون. احرص على إبقاء السائل بعيدًا عن داخل إطار جهاز المشي الآلي أو من أسفل الحزام.
تحذير: قم دائمًا بفصل جهاز المشي من مأخذ التيار الكهربائي قبل إزالة غطاء المحرك. قم بإزالة غطاء المحرك مرة واحدة على الأقل سنويًا و قم بالفراغ أسفل غطاء المحرك.

تشحيم حزام الجري والسطح

تم تجهيز جهاز المشي هذا بنظام سطح مشحم مسبقًا ومنخفض الصيانة. قد يلعب احتكاك الحزام/السطح دورًا رئيسيًا في وظيفة جهاز المشي الخاص بك وعمره، وبالتالي يتطلب تشحيمًا دوريًا. نوصي بإجراء فحص دوري للسطح.

نوصي بتزيت السطح وفقًا للجدول الزمني التالي:

- ❖ مستخدم خفيف (أقل من 3 ساعات/أسبوع) سنويًا
- ❖ مستخدم متوسط (3-5 ساعات/أسبوع) كل ستة أشهر
- ❖ الاستخدام الكثيف (أكثر من 5 ساعات/أسبوع) كل ثلاثة أشهر



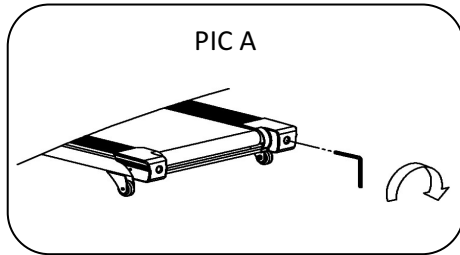
تعليمات الصيانة

تعديل شد سير المشي وتوسيطه

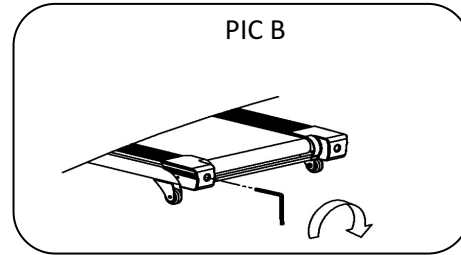
لا تبالغ في ربط حزام المشي. قد يتسبب ذلك في انخفاض أداء المحرك والتآكل المفرط للأسطوانة.

إلى مركز سير المشي

- ❖ ضع جهاز المشي على سطح مستو
- ❖ قم بتشغيل جهاز المشي بسرعة 3.5 ميل في الساعة تقريبًا
- ❖ إذا كان سير التشغيل بعيدًا جدًا عن الجانب الأيمن، استخدم مفتاح Allen المرفق لتدوير مسمار الشد الأيمن في اتجاه عقارب الساعة ببطء، مع ملاحظة تغير مسافة الانحراف حتى يظل الحزام في المنتصف أثناء الاستخدام. (تنبيه: المسافة بين الحزام والحواف اليمنى/اليسرى تكون على مسافة طبيعية. ويجب ألا تزيد الفجوة بين المسافة اليمنى واليسرى عن 5 مم.)
- ❖ إذا كان سير الجري بعيدًا جدًا عن الجانب الأيسر، فقم بتدوير مسمار الشد الأيسر في اتجاه عقارب الساعة ببطء، مع ملاحظة تغير مسافة الانحراف حتى يظل الحزام في المنتصف أثناء الاستخدام. (تنبيه: المسافة بين الحزام والحواف اليمنى/اليسرى تكون على مسافة عادية. ويجب ألا تزيد الفجوة بين المسافة اليمنى واليسرى عن 5 مم.)



إذا كان الحزام بعيدًا جدًا عن الجانب الأيمن



إذا كان الحزام بعيدًا جدًا عن الجانب الأيسر

شد الحزام

إذا كنت تشعر بإحساس بالانزلاق عند الجري على جهاز المشي، فيجب ربط حزام الجري. في معظم الحالات، يتمدد الحزام بسبب الاستخدام، مما يتسبب في انزلاق الحزام. هذا تعديل طبيعي وشائع. للتخلص من هذا الانزلاق، قم بشد مسامير الأسطوانة الخلفية باستخدام مفتاح ألين ذو الحجم المناسب، مع تحويله بمقدار 4/1 دورة إلى اليمين كما هو موضح. حاول استخدام جهاز المشي مرة أخرى للتحقق من عدم الانزلاق.

كرر ذلك، إذا لزم الأمر، ولكن لا تقم مطلقًا بإدارة مسامير الأسطوانة أكثر من 4/1 دورة في المرة الواحدة. يتم ضبط شد الحزام بشكل صحيح عندما يكون سير الجري على بعد 50 - 75 ملم من السطح.

تحذير: قم دائمًا بفصل جهاز المشي من مأخذ التيار الكهربائي قبل تنظيف الوحدة أو صيانتها.

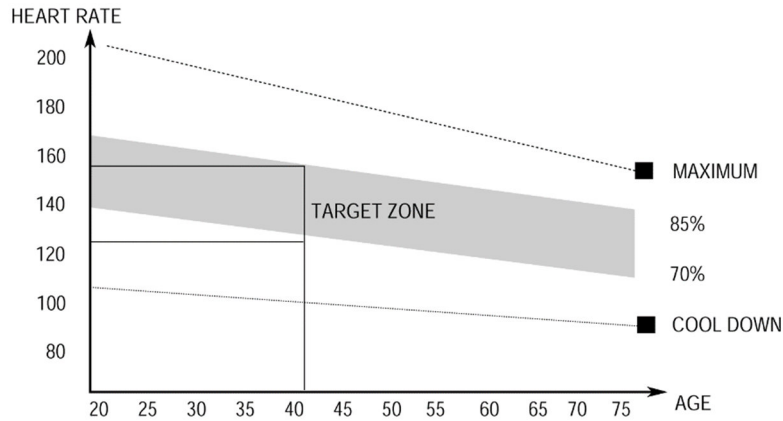
تعليمات التمرين

مرحلة الاحماء

تساعد هذه المرحلة على تدفق الدم حول الجسم وعمل العضلات بشكل صحيح. كما أنه سيقبل من خطر الإصابة بالتشنج والعضلات. يُنصح بالقيام ببعض تمارين التمدد كما هو موضح أدناه. يجب الاستمرار في كل تمدد لمدة 30 ثانية تقريبًا، ولا تجبر عضلاتك أو تهزها للقيام بالتمدد - إذا كان الأمر مؤلمًا، توقف.

مرحلة التمرين

هذه هي المرحلة التي تبذل فيها الجهد. بعد الاستخدام المنتظم، ستصبح عضلات ساقيك أقوى. اعمل وفقًا لذوقك ولكن من المهم جدًا الحفاظ على إيقاع ثابت طوال الوقت. يجب أن يكون معدل العمل كافيًا لرفع ضربات قلبك إلى المنطقة المستهدفة الموضحة في الرسم البياني أدناه.



يجب أن تستمر هذه المرحلة لمدة لا تقل عن 12 دقيقة، على الرغم من أن معظم الأشخاص يبدأون بحوالي 15-20 دقيقة

مرحلة التهدئة

تهدف هذه المرحلة إلى السماح لنظام القلب والأوعية الدموية والعضلات بالاسترخاء. هذا تكرار لتمرين الإحماء على سبيل المثال. خفض وتيرة الخاص بك، واستمر لمدة 5 دقائق تقريبًا. يجب الآن تكرار تمارين التمدد، وتذكر مرة أخرى عدم إجبار عضلاتك على التمدد أو هزها. عندما تصبح أكثر لياقة، قد تحتاج إلى التدريب لفترة أطول وبقوة أكبر. يُنصح بالتدريب ثلاث مرات على الأقل في الأسبوع، وإذا أمكن، قم بتقسيم التدريبات بشكل متساوٍ على مدار الأسبوع.

لتقوية العضلات أثناء استخدام جهاز المشي، ستحتاج إلى ضبط المقاومة على مستوى عالٍ جدًا. سيؤدي هذا إلى زيادة الضغط على عضلات الساق وقد يعني أنك لا تستطيع التدريب للمدة التي تريدها. إذا كنت تحاول أيضًا تحسين لياقتك البدنية، فأنت بحاجة إلى تغيير برنامجك التدريبي. يجب أن تتدرب كالمعتاد أثناء مرحلتك الإحماء والتهدئة، ولكن في نهاية مرحلة التمرين، يجب عليك زيادة المقاومة، مما يجعل ساقيك تعملان بقوة أكبر من المعتاد. قد تضطر إلى تقليل سرعتك للحفاظ على معدل ضربات قلبك في المنطقة المستهدفة.

العامل المهم هنا هو مقدار الجهد الذي تبذله. كلما عملت بجد وأطول كلما زادت السرعات الحرارية التي ستحرقها. على نحو فعال، هذا هو نفسه كما لو كنت تتدرب لتحسين لياقتك البدنية، الفرق هو الهدف.

استكشاف الأخطاء وإصلاحها

رمز الخطأ	الأسباب المحتملة	الحلول
E01	لوحة العرض لا تستقبل الإشارة	التحقق من الاتصالات والكابلات. إعادة تشغيل العرض.
E03	على الجهد	التحقق من إمدادات الطاقة. التحقق من وجود طفرات. فحص الدوائر.
E04	أكثر من الحالي	تقليل الحمل. التحقق من الأسلاك للسرويل القصيرة. إعادة تعيين قواطع الدائرة.
E05	الوزن الزائد	تقليل الحمل. فحص وإعادة معايرة أجهزة استشعار الوزن.
E06	اتصال المحرك	فحص أسلاك المحرك. ضمان اتصالات آمنة.
E07	وحدة التحكم لا تتلقى إشارة	فحص كابلات الاتصالات. إعادة تشغيل وحدة التحكم.

اختبار الدهون في الجسم:

في حالة الاستعداد، اضغط على PROG للدخول إلى برنامج FAT (اختبار اللياقة البدنية). اضغط على الوضع للدخول إلى برنامج F-1، F-2، F-3، F-4، F-5 (F-1: الجنس، F-2: العمر، F-3: الطول، F-4: الوزن، F-5: الاختبار البدني)، اضغط على SPEED +/- SPEED أو INCLINE +/- INCLINE لتعيين المعلمة 04-01 (انظر الجدول التفصيلي أدناه)، ثم اضغط على MODE للدخول إلى برنامج F-5 للاختبار البدني. في هذه الحالة، أمسك لوحة النبض بالمقبض لمدة 5-6 ثوانٍ وستعرض الدهون، وتحقق مما إذا كان الوزن يتطابق مع طولك.

FAT هو قياس العلاقة بين الطول والوزن، وليس نسبة الجسم. فات مناسب لكل رجل وامرأة؛ فهو يوفر أساساً مهمة لضبط الوزن مع المؤشرات الصحية الأخرى. تكون نسبة الدهون المثالية بين 20-24، أي إذا كان أقل من 19 فهو نحيف للغاية، وإذا كان بين 25-29 فهو وزن زائد وإذا كان أكثر من 30 فهو سمينة.

F--1	جنس	01(رجل)	02(امرأة)
F--2	عمر	10-----99	
F--3	ارتفاع	100-----200	
F--4	وزن	20-----150	
F--5	سمين	≤ 19	نقص الوزن
	سمين	$= (20--24)$	الوزن الطبيعي
	سمين	$= (25--29)$	زيادة الوزن
	سمين	≥ 30	بدانة

8. تعليمات التشغيل

1. التحضير قبل البدء

- 1.1 قم بتوصيل سلك الطاقة واضغط على مفتاح التشغيل الموجود في الجزء الأمامي السفلي من الجهاز. إذا لم يتم تشغيل الجهاز أو تحريكه لفترة طويلة، فيرجى إيقاف تشغيل الجهاز.
- 1.2 ضع المفتاح الآمن على الملابس ثم ضع المفتاح المغناطيسي في الكمبيوتر. إذا لم يتم وضع مغناطيس الأمان في المكان المخصص، فلن تعمل الآلة.

2. ابدأ

- 2.1 اضغط على START/STOP، وتبدأ الآلة في العمل بسرعة بدء تبلغ 1.0 KM/h.
- 2.2 اضغط على السرعة يمكن التحكم في السرعة، بضغط واحدة سيتم زيادة أو نقصان 0.1 كم/ساعة. اضغط على المفتاح دون توقف يمكنك الوصول إلى السرعة التي تريدها. أعلى سرعة هي 12 كم/ساعة وأدنى سرعة 1.0 كم/ساعة.

3. طريقتان لإيقاف الآلة

- 3.1 سيؤدي سحب المفتاح الآمن إلى إيقاف الجهاز سريعاً مما سيصدر صوت تنبيه. قبل إعادة التشغيل، يرجى وضع المغناطيس الأصفر في مكانه الأصلي.
- 3.2 اضغط على START/STOP، وسيوقف الجهاز عن العمل.

5. الوضع اليدوي

5.1 في حالة التنبيه، اضغط على زر "ابدأ"، يبدأ الجهاز في العمل بسرعة 0.8 كم/ساعة، وتبدأ نافذة العرض الأخرى في حساب البيانات، اضغط على "SPEED +", "SPEED", "STOP" لتغيير السرعة.

5.2 في حالة التنبيه اضغط على زر "MODE" في وقت العد التنازلي، وعرض "TIME" 30:00 وفلاش، اضغط على "SPEED" "SPEED+" إعداد وقت التشغيل، نطاق إعداد الوقت: 99:00-5:00 .

5.3 في وضع وقت العد التنازلي، اضغط على "MODE" في وضع مسافة العد التنازلي، وشاشة "5.0" "DISTANCE" وفلاش، اضغط على "SPEED" "SPEED+" اضغط مسافة التشغيل، نطاق ضبط المسافة: 99-0.5.

5.4 في وضع مسافة العد التنازلي، اضغط على "MODE" في وضع السرعات الحرارية للعد التنازلي، وعرض "100" "CAL" وفلاش، اضغط على "SPEED" "SPEED+" إعداد السرعات الحرارية، نطاق إعداد السرعات الحرارية: 990-20.

5.5 اختر وضعًا واحدًا من بين ثلاثة أوضاع للإعداد، ثم اضغط على "START"، وبعد 3 ثوانٍ، سيبدأ الجهاز في التشغيل، اضغط على "SPEED" "SPEED+" ضبط السرعة، اضغط على "STOP"، يتوقف الجهاز عن التشغيل.

6. برنامج البناء

يوجد 12 برنامجًا مدمجًا (P1-P12)، في حالة الاستعداد، اضغط على زر "PROGRAM"، وعرض "P1-P12" "SPEED"، وبعد اختيار وضع برنامج واحد، تومض شاشة "TIME" في نفس الوقت وقت؛ عرض الوقت المحدد مسبقًا 30:00، اضغط على "SPEED" "SPEED+" لإعداد وقت التشغيل، ثم اضغط على برنامج بدء التشغيل المدمج، هناك 10 مستويات من البرنامج المدمج، كل مستوى برنامج = وقت الإعداد/10. سيصدر النظام صوت "Bi-Bi-Bi" لتذكيرك بوضع مستوى البرنامج التالي، وستتغير السرعة عندما يتغير وضع مستوى البرنامج، وفي حالة التشغيل يمكنك الضغط على "SPEED" "SPEED+" لتغيير السرعة، ولكن هذا سيتم استعادة سرعة مستوى البرنامج عند الدخول في وضع مستوى البرنامج التالي. بعد الانتهاء من وضع مستوى البرنامج، سيصدر النظام صوت "Bi-Bi-Bi" للتذكير، تنخفض سرعة الماكينة بسلاسة وتتوقف عن العمل، وتظهر كلمة "END" بعد 5 ثوانٍ، ويصبح الجهاز في حالة التنبيه.

3.4 وضع التدريب على السرعات الحرارية للعد التنازلي: في حالة التوقف، اضغط على زر "الوضع" ثلاث مرات، أدخل حالة الإعداد، وفلاش عرض نافذة السرعات الحرارية، العرض الافتراضي CAL100، اضغط على زر SPEED+، زر لتعديل قيمة الإعداد، نطاق الإعداد: 20-990 كالوري. اضغط على زر "START/STOP" لبدء تشغيل جهاز المشي، حيث أن السرعة 0.8 كم/ساعة لبدء الجري، اضغط على SPEED+، لضبط السرعة. عندما يكون العد التنازلي للسرعات الحرارية 0، سيتوقف جهاز المشي عن العمل تلقائيًا.

3.5 "PUL": سيختبر معدل ضربات القلب عندما تمسك كلتا يديك بمستشعر المعدل. وسوف تظهر البيانات على الشاشة، معدل ضربات القلب: 50-250 في الدقيقة. (البيانات للإشارة فقط وليس البيانات الطبية)

3.6 الآن قم بإدخال وضع البرنامج، وضع البرنامج يحتوي على P1-P12 في الكل، يرجى الضغط على مفتاح البرنامج بشكل منفصل يمكنك اختيار ما تريد وسوف تومض نافذة الوقت.

أدخل حالة الإعداد، فلاش عرض نافذة الوقت، العرض الافتراضي 30:00، اضغط على نطاق الإعداد: 5-99 دقيقة SPEED+، زر تعديل إعداد الوقت. اضغط على زر "ابدأ" وابدأ تشغيل جهاز المشي. عندما يكون وقت العد التنازلي 00:00، يتوقف جهاز المشي عن العمل تلقائيًا. اضغط على السرعة +، - يمكن تغيير بيانات البرنامج أثناء التشغيل.

قائمة البرامج

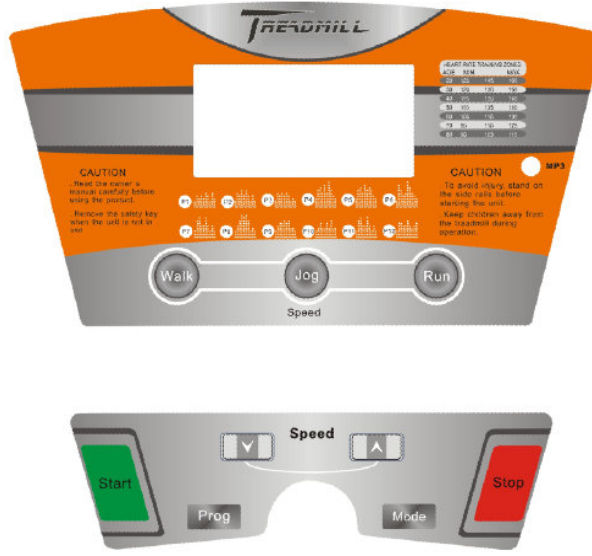
البرنامج \ دقائق		ضبط الدقائق / 10 = وقت كل مستوى									
		1	2	3	4	5	6	7	8	9	10
P1	سرعة	2	4	3	4	3	5	4	2	5	3
P2	سرعة	2	5	4	6	4	6	4	2	4	2
P3	سرعة	2	5	4	5	4	5	4	2	3	2
P4	سرعة	3	6	7	5	8	5	9	6	4	3
P5	سرعة	3	6	7	5	8	6	7	6	4	3
P6	سرعة	2	8	6	4	5	9	7	5	4	3
P7	سرعة	2	6	7	4	4	7	4	2	4	2
P8	سرعة	2	4	6	8	7	8	6	2	3	2
P9	سرعة	2	4	5	5	6	5	6	3	3	2
P10	سرعة	2	3	5	3	3	5	3	6	3	3
P11	سرعة	2	6	7	4	4	7	4	2	4	2
P12	سرعة	2	5	5	4	4	6	4	2	3	4

4. البدء السريع (الوضع اليدوي)

- 4.1 اضغط على مفتاح الطاقة، ضع المفتاح الآمن في المكان الصحيح.
- 4.2 اضغط على زر "ابدأ"، النظام في وقت العد التنازلي لمدة 3 ثوانٍ، وأصوات الجرس، وسيُظهر عرض الوقت وقت العد التنازلي في نفس الوقت. وبعد 3 ثوانٍ، سيبدأ الجهاز في العمل بسرعة 0.8 كم/ساعة.
- 4.3 في حالة التشغيل، اضغط على "SPEED+" "-SPEED" لضبط السرعة وفقًا لطلبك.

تعليمات التشغيل

1. مواصفات الوظيفة



2. الوظيفة الرئيسية:

- 2.1 "البدء" "الإيقاف": التشغيل، زر الإيقاف، في حالة الاستعداد، قم بتشغيل جهاز المشي؛ في حالة التشغيل، قم بتعليق جهاز المشي، والحفاظ على البيانات؛
- 2.2 البرنامج: زر اختيار الوضع، في حالة التوقف، حدد الحلقة (P1, P2, P3, ...P12) على النحو التالي:
- 2.3 الوضع: زر الوضع في حالة الإعداد، حدد وقت العد التنازلي ومسافة العد التنازلي والسرعات الحرارية للعد التنازلي بشكل دائري. عند اختيار الوضع، يمكنك استخدام السرعة "+" والسرعة "-" ضبط بيانات العد التنازلي، عند الانتهاء من الإعداد، اضغط على "ابدأ" يمكنك تشغيل الجهاز.
- 2.4 سرعة "+": زر السرعة +، في حالة التشغيل، اضغط عليه سيتم إضافة 0.1 كم/ساعة في كل مرة، اضغط عليه لفترة طويلة، وستضيف السرعة باستمرار؛
- 2.5 سرعة "-": زر السرعة، في حالة التشغيل، اضغط عليه سيقبل 0.1 كم/ساعة في كل مرة، اضغط عليه لفترة طويلة، وسوف تقلل السرعة باستمرار.
- 2.6 "المشي" "الركض" "الجري": في حالة التشغيل، اضغط على مفتاح الوظيفة "المشي" (3 كم/ساعة) "الركض" (6 كم/ساعة) "الجري" (9 كم/ساعة)، يمكنك اختيار وظيفة مختلفة تريد

3. البرنامج

- 3.1 عرض السرعة؛ في حالة الإعداد، سيظهر برنامج P1-P12، في حالة التشغيل، سيظهر غضب السرعة؛ 0.8-14 كم/ساعة.
- 3.2 وضع التدريب على وقت العد التنازلي: في حالة التوقف، اضغط على زر "MODE"، وأدخل حالة الإعداد، وفلاش عرض نافذة الوقت، والعرض الافتراضي 30:00، اضغط على SPEED+، زر تعديل قيمة الإعداد. نطاق الإعداد: 5-99 دقيقة. اضغط على زر "ابدأ" وابدأ تشغيل جهاز المشي. عندما يكون وقت العد التنازلي 00:00، يتوقف جهاز المشي عن العمل تلقائيًا.
- 3.3 وضع التدريب على مسافة العد التنازلي: في حالة التوقف، اضغط على زر "MODE"، وأدخل حالة الإعداد، وعرض فلاش نافذة المسافة، والعرض الافتراضي 5.0 كجم، اضغط على زر SPEED+، وتعديل قيمة الإعداد، نطاق الإعداد: 0.5-99.0 كجم. اضغط على زر "START" لبدء تشغيل جهاز المشي، حيث تكون السرعة 0.8 كم/ساعة لبدء الجري، اضغط على SPEED+، لضبط السرعة. عندما تكون مسافة العد التنازلي 0.0، يتوقف جهاز المشي عن العمل تلقائيًا.

طرق لتأريض

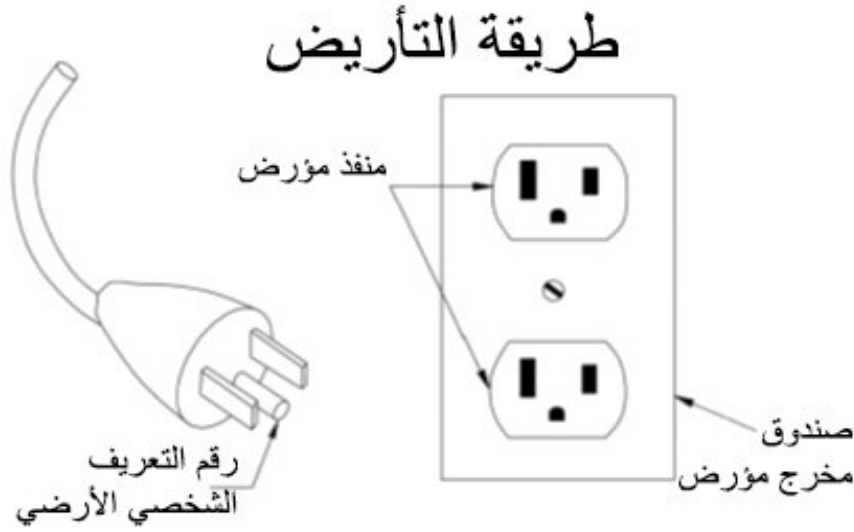
يجب تأريض هذا المنتج. إذا حدث عطل أو تعطل، فإن التأريض يوفر مسارًا ذا مقاومة أقل للتيار الكهربائي لتقليل خطر التعرض لصدمة كهربائية.

هذا المنتج مزود بسلك به موصل تأريض الجهاز وقابس تأريض. يجب توصيل القابس بمنفذ مناسب تم تركيبه وتأريضه بشكل صحيح وفقًا لجميع القوانين واللوائح المحلية.

خطر - قد يؤدي التوصيل غير الصحيح لموصل تأريض الجهاز إلى خطر التعرض لصدمة كهربائية. تحقق مع كهربائي أو فني مؤهل إذا كانت لديك شكوك حول ما إذا كان المنتج مؤرضًا بشكل صحيح.

لا تقم بتعديل القابس المرفق مع المنتج - إذا لم يكن مناسبًا للمنفذ، فقم بتركيب منفذ مناسب بواسطة كهربائي مؤهل. هذا المنتج مخصص للاستخدام على دائرة اسمية بجهد 220 فولت ويحتوي على قابس تأريض يشبه القابس الموضح في الشكل أدناه. تأكد من توصيل المنتج بمنفذ له نفس تكوين القابس.

لا ينبغي استخدام أي محول مع هذا المنتج.

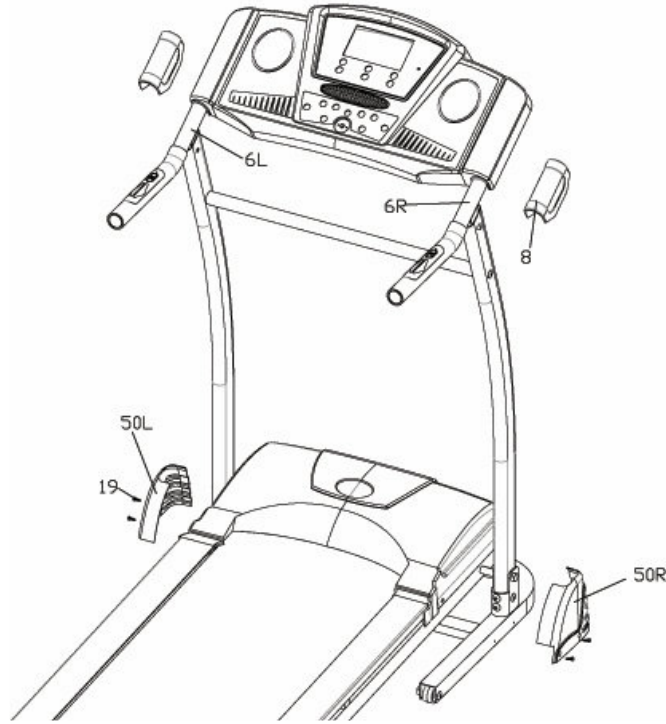


المعلمة الفنية

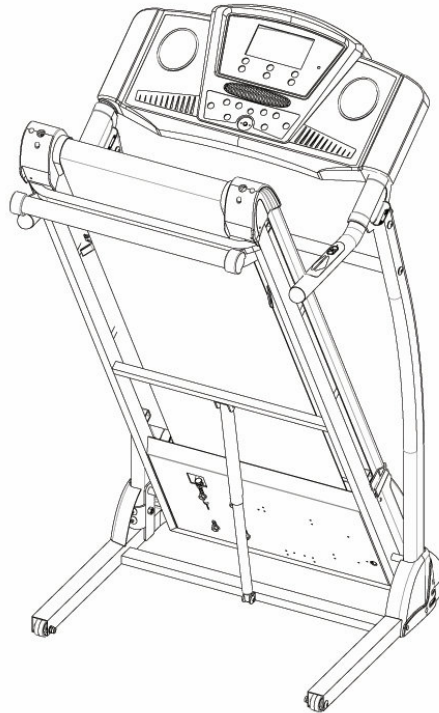
حجم التجميع (مم)	160 x 72 x 133 cm	قوة	2.0 HP
حجم الطي (مم)	72 x 32 x 142 cm	ماكس انتاج الطاقة	4.0 HP
حجم سطح التشغيل (مم)	121 x 43 cm	الإدخال الحالي	220 V
الوزن الصافي	46 KG	نطاق السرعة	0.8 - 14 KM/H
الحد الأقصى لوزن المستخدم	110KG	انحدر	Manual 2%

الخطوة 4:

قم بتجميع غطاء الدرابزين وغطاء عمود العمود
أولاً، ارفع غطاء الدرابزين (8) وضعه في موضع متوافق مع الدرابزين (6).
ثانياً، استخدم المسمار المرفق (19) لتثبيت غطاء قضيب العمود (R&L50) على الأعمدة الجانبية.

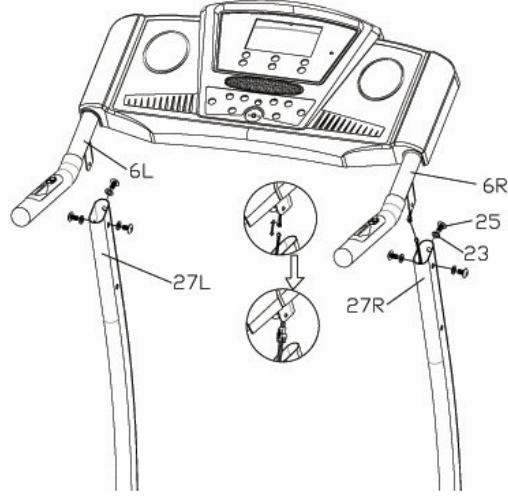


صورة قابلة للطي



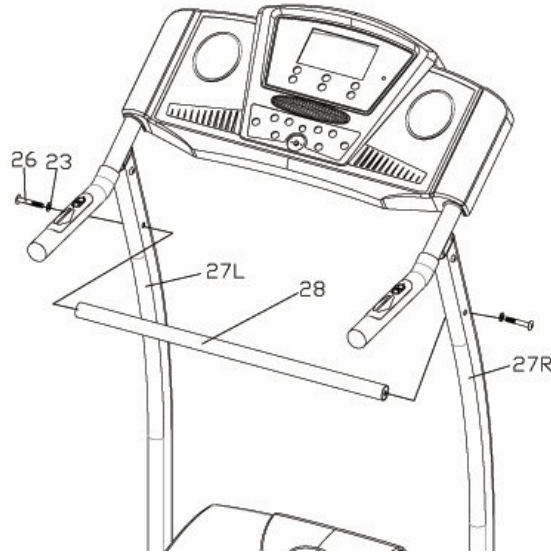
الخطوة 2: تجميع وحدة التحكم

- أولاً، قم بتوصيل الكابل في العمود الأيمن.
- ثانياً، ارفع الوحدة (R&L6) وضعها بشكل يتوافق مع الفتحات المحفورة مسبقاً على الأعمدة الجانبية (27).
- ثالثاً، استخدم البراغي المرفقة (25) والفلكة (23) لتثبيت الوحدة بالدعائم الجانبية.











الخطوة 3: تجميع الشريط الأوسط.

- استخدم المسمار المرفق (26) والفلكة (23) لتثبيت القضيب الأوسط (28) بالدعائم الجانبية (27).



تعليمات التجميع

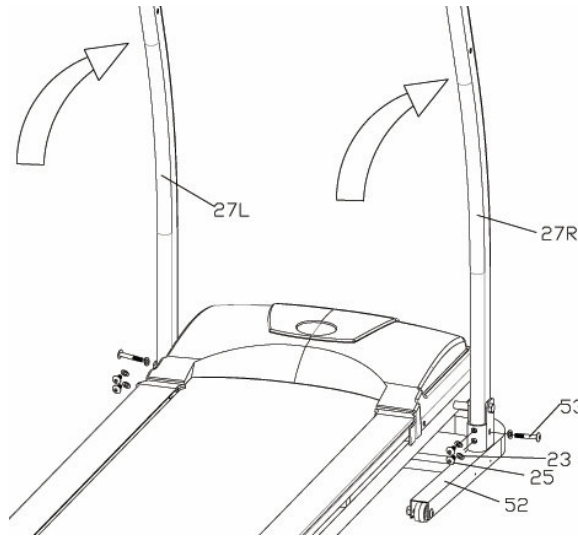
قائمة تعبئة الأجهزة:

وصف الجزء #	الكمية (قطعة)	وصف الجزء #	الكمية (قطعة)
بولت M8x16 mm. 	10	Ø4x15mm Bolt 	4
بولت M8x45 mm. 	2	مفتاح الأمان 	1
بولت M8x50 mm. 	2	وجع ألين 	1
غسالة الساعة M8 (Ø 15xØ 8.4xT0.8) 	14	زيت السيليكون 	1

ملحوظة: الأجزاء الموضحة أعلاه هي جميع الأجزاء التي تحتاجها لتجميع جهاز المشي هذا. قبل البدء في التجميع، يرجى التحقق من عبوة الأجهزة للتأكد من أنها متضمنة. يرجى العثور على الأدوات الموجودة في مجموعة الأجهزة لمساعدتك في تجميع جهاز المشي هذا بشكل أسهل.

الخطوة 1:

- ارفع الدعائم الجانبية (27) يمينًا ويسارًا، واستخدم البراغي المرفقة (25,53) والفلكات (W23)، لثبيت القائم على إطار القاعدة (52).



احتياطات السلامة الهامة

- قم بتوصيل سلك الطاقة الخاص بجهاز المشي مباشرةً بدائرة مؤرضة مخصصة. يجب تأريض هذا المنتج. إذا كان به عطل، فإن التأريض يوفر مسارًا ذا مقاومة أقل للتيار الكهربائي لتقليل خطر التعرض لصدمة كهربائية.
- ضع جهاز المشي على سطح نظيف ومستو. لا تضع جهاز المشي على سجادة سميكة لأنه قد يتداخل مع التهوية المناسبة. لا تضع جهاز المشي بالقرب من الماء أو في الخارج.
- ضع جهاز المشي بحيث يكون قابس الحائط مرئيًا ويمكن الوصول إليه.
- لا تقم مطلقًا بتشغيل جهاز المشي أثناء وقوفك على سير المشي. بعد تشغيل الطاقة وضبط التحكم في السرعة، قد يكون هناك توقف مؤقت قبل أن يبدأ سير المشي في التحرك، قف دائمًا على حاجزي القدم على جانبي الإطار حتى يتحرك الحزام.
- ارتداء الملابس المناسبة عند ممارسة التمارين على جهاز المشي. لا ترتدي ملابس طويلة وفضفاضة قد تعلق في جهاز المشي. قم دائمًا بارتداء أحذية الجري أو التمارين الرياضية بنعال مطاطية.
- تأكد من توصيل مصدر الطاقة ومن أن قفل الأمان فعال قبل استخدام جهاز المشي. قم بتركيب جانب واحد من قفل الأمان على جهاز المشي وقم بتثبيت الجانب الآخر على ملابسك أو حزامك، مما سيمكنك من سحب قفل الأمان على الفور في حالة الطوارئ.
- قم دائمًا بفصل سلك الطاقة قبل إزالة غطاء محرك جهاز المشي.
- تأكد من وجود مساحة خالية خلف جهاز المشي لا تقل عن 1*2 م.
- أبعد الأطفال الصغار عن جهاز المشي أثناء التشغيل.
- أمسك دائمًا الدرابزين عند المشي أو الجري في البداية على جهاز المشي، حتى تشعر بالارتياح عند استخدام جهاز المشي.
- قم دائمًا بربط حبل سحب الأمان بملابسك عند استخدام جهاز المشي. إذا زادت سرعة جهاز المشي فجأة بسبب عطل إلكتروني أو زيادة السرعة عن غير قصد، فسوف يتوقف جهاز المشي بشكل مفاجئ عند فصل دبوس السحب من وحدة التحكم.
- في حالة حدوث أي خلل أثناء عملية الاستخدام، يرجى إزالة قفل الأمان على الفور، والإمسك بالمقود والقفز على حافظته، ثم النزول من جهاز المشي بعد توقفه.
- في حالة عدم استخدام جهاز المشي، يجب فصل سلك الطاقة وإزالة دبوس سحب الأمان.
- ضع مفتاح الأمان بعيدًا عن متناول الأطفال. يجب أن يكون القاصرون برفقة البالغين عند استخدام جهاز المشي.
- قبل البدء بأي برنامج تمرين، استشر طبيبك أو أخصائي الصحة. يمكنه المساعدة في تحديد وتيرة التمرين وشدته (منطقة القلب المستهدفة) والوقت المناسب لمحرك وحالتك الخاصة. إذا كان لديك أي ألم أو ضيق في صدرك، أو عدم انتظام ضربات القلب، أو ضيق في التنفس، أو تشعر بالإغماء أو أي إزعاج أثناء ممارسة الرياضة، توقف! استشر طبيبك قبل المتابعة.
- إذا لاحظت أي تلف أو تآكل في قابس التيار الكهربائي أو في أي قسم من سلك التيار الكهربائي، فيرجى استبدالها فورًا بواسطة كهربائي مؤهل - لا تحاول تغييرها أو إصلاحها بنفسك.
- في حالة تلف سلك التيار الكهربائي، يجب استبداله من قبل الشركة المصنعة أو وكيل الخدمة التابع لها أو أشخاص مؤهلين بشكل مماثل لتجنب المخاطر.
- ضع قدميك على الحاجز الجانبي قبل استخدام جهاز المشي، وقم دائمًا بربط حبل سحب الأمان بملابسك. أمسك شريط المقبض قبل أن يتحرك حزام الجري جيدًا (اشعر بسرعة الجري بقدمك الواحدة قبل استخدامه). لتجنب فقدان الرصيد، يرجى إبطاء السرعة إلى أدنى مستوى أو إزالة الأمان. وأمسك شريط المقبض للانتقال إلى السكة الجانبية عندما لا يكون مفتاح الطوارئ أو الأمان متصلًا.
- تأكد من فصل سلك الطاقة وتوقف جهاز المشي تمامًا قبل طيه. يرجى عدم تشغيله بعد طي جهاز المشي.

احتياطات

- قبل البدء بأي برنامج تمرين، استشر طبيبك أو أخصائي الصحة.
- التحقق من جميع البراغي مقفلة.
- لا تضع جهاز المشي أبدًا في منطقة رطبة، وإلا فسيسبب ذلك مشاكل.
- نحن لا نتحمل أي مسؤولية عن أي مشاكل أو أذى نتيجة للأسباب المذكورة أعلاه.
- ارتداء الملابس والأحذية الرياضية قبل الجري.
- لا تمارس الرياضة خلال 40 دقيقة بعد تناول الوجبة.
- لمنع الألم، يرجى الإحماء قبل التمرين.
- استشارة الطبيب قبل ممارسة الرياضة إذا كنت تعاني من ارتفاع ضغط الدم.
- جهاز المشي يستخدم للبالغين فقط.
- توفير الرعاية الجيدة لكبار السن والأطفال والمعاقين والتوجيه والإشراف.
- لا تقم بتوصيل أي شيء بأي جزء من أجزاء هذا الجهاز، وإلا فقد يؤدي ذلك إلى تلفه.
- لا تقم بتوصيل الخط بمنتصف الكابل. لا تقم بإطالة الكابل أو تغيير قابس الكابل؛ لا تضع أي شيء ثقيل على الكابل أو تضع الكابل بالقرب من مصدر الحرارة؛ يُمنع استخدام مقبس به عدة ثقوب، فقد يتسبب ذلك في نشوب حريق أو قد يتعرض الأشخاص للأذى بسبب الطاقة.
- قطع التيار الكهربائي عند عدم استخدام المعدات. عند انقطاع التيار الكهربائي، لا تسحب خط الطاقة للحفاظ على السلك دون انقطاع.
- قد لا تكون بيانات جهاز مراقبة النبض دقيقة، وبالتالي لا يمكن استخدامها للأغراض الطبية. الإفراط في ممارسة الرياضة قد يسبب الإصابة، وحتى الموت. إذا كان لديك شعور بالدوخة أو المرض أو أي أعراض غير طبيعية أخرى، فيرجى التوقف عن التدريب واستشارة الطبيب على الفور.
- الحد الأقصى لوزن المستخدم: 120 كجم.

تحذير

- اقرأ جميع التعليمات بعناية قبل استخدام هذا المنتج. احتفظ بدليل المالك هذا للرجوع إليه في المستقبل:
- عند استخدام جهاز المشي هذا، استمر في ربط حبل سحب الأمان بملابسك.
- أثناء الجري، حافظ على تأرجح يديك بشكل طبيعي، وانظر إلى الأمام، ولا تنظر أبدًا إلى أسفل قدميك.
- إضافة السرعة خطوة بخطوة عند التشغيل.
- عند حدوث حالة طارئة، قم بإزالة "زر التوقف الطارئ" على الفور.
- اترك جهاز المشي بعد توقف سير الجري بشكل ثابت.

تحذير: اقرأ تعليمات التجميع بعناية، واتبع التعليمات عند التجميع.

سمات

تهانينا على اختيار جهاز المشي الآلي. لقد اتخذت الخطوة الأولى نحو أسلوب حياة أكثر صحة وأكثر فائدة.

تم تصميم جهاز المشي خصيصًا لتلبية احتياجاتك. وفيما يلي ملامح حلقة مفرغة.

- نطاق السرعة: 0.8~14.0 كم/ساعة
- 2 مستويات للانحدار اليدوي
- نبض اليد
- 12 برنامجاً مسبقاً
- جهد الدخل: 220-240 فولت، 60/50 هرتز
- يقع الإطار على مستوى منخفض من الأرض لضمان تجربة أكثر استقرارًا وأمانًا.
- يحتوي جهاز المشي القابل للطي أيضًا على عجلات لتسهيل تحريكه.
- برامج مختلفة لمساعدتك على تحقيق أهداف اللياقة البدنية الخاصة بك.
- إعدادات سرعة ثابتة لجعل التمرين أكثر ملاءمة.
- الحد الأقصى لوزن المستخدم: 110 كجم.

جدول المحتويات

٣	تحذير
٣	سمات
٤	احتياطات
٥	احتياطات السلامة الهامة
٦	تعليمات التجميع
٩	طرق لتأريض
٩	المعلمة الفنية
١٠	تعليمات التشغيل
١٤	استكشاف الأخطاء وإصلاحها
١٥	تعليمات التمرين
١٦	تعليمات الصيانة
١٨	رسم متفجر
١٩	قائمة الأجزاء



Need Help?

تحتاج مساعدة؟

Call For Technical Support.
اتصل للحصول على الدعم الفني.

United Arab Emirates

الإمارات العربية المتحدة

+971 56 501 5399

+971 54 308 4588

customercare@topskyland.com

<https://topskyland.com>

Saudi Arabia

المملكة العربية السعودية

+966 50 819 8548

+966 59 643 1174

customerservice@topskyland.com

<https://sa.topskyland.com>