



---

**USER's MANUAL**

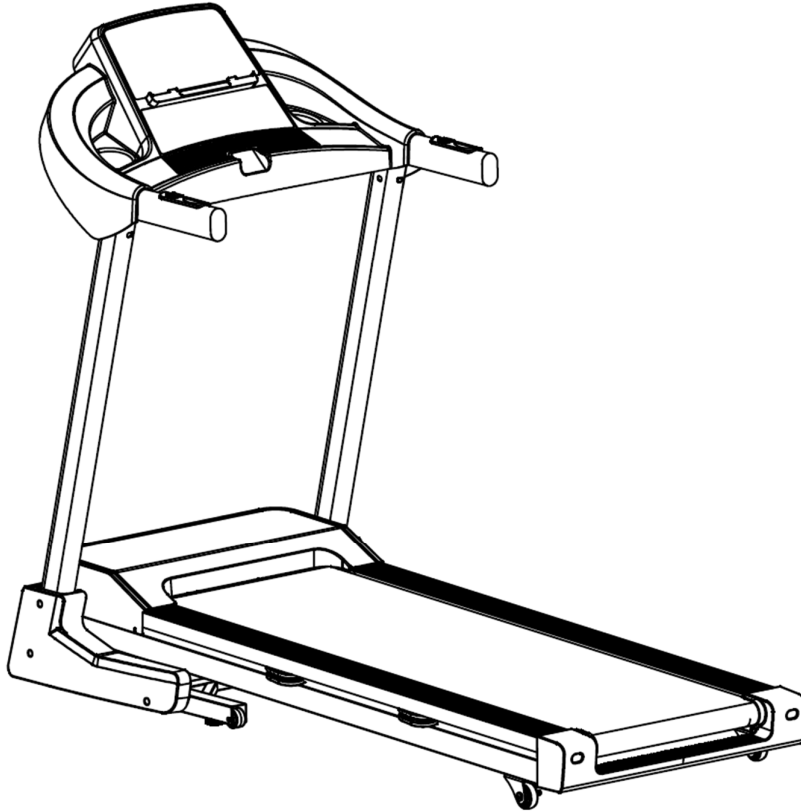
---

**دليل المستخدم**

**TREADMILL**

**جهاز الجري**

**EM-1290**



**IMPORTANT!**

**مهم!**

PLEASE READ THIS MANUAL CAREFULLY  
BEFORE USING THIS DEVICE.  
RETAIN THIS MANUAL FOR FUTURE  
REFERENCE.

يرجى قراءة هذا الدليل بعناية قبل استخدام هذا الجهاز.  
احتفظ بهذا الدليل للرجوع إليه في المستقبل.

# Table Of Content

Features of the Treadmill	3
Precautions	3
Important Safety Instructions	6
Assembly Instructions	7
Exploded Drawing	10
Spare Part List	11
Operation Guide	12
Maintenance Instructions	18
Training Manual	20
Troubleshooting	23

# Features of the Treadmill

Congratulations and Thank You for choosing the motorized treadmill. You have taken the first step to a healthier and more rewarding lifestyle.

The treadmill is especially designed to meet your needs. The following are the features of the treadmill.

- Speed Range: 0.8~18 KM/H
- Incline: 3 levels manual incline
- Hand pulse
- 25 pre-programs
- HR programs (for HRC version only)
- Fitshow Bluetooth
- Input voltage: 220V 50-60HZ
- Foldable and easy moving

## Precautions

TO REDUCE THE RISK OF ELECTRIC SHOCK, BURN, FIRE OR OTHER INJURY, PLEASE READ THE FOLLOWING CAUTIONS AND INFORMATION BEFORE OPERATING THIS TREADMILL.

- It is the responsibility of the owner to be sure that all the users of this treadmill are informed of all warning and precautions.
- Keep pets and small children away from the treadmill at all times.
- Never start the treadmill while you are standing on the walking belt.
- The treadmill is capable of high speeds. To avoid sudden jumps in speed, adjust the speed in small increments.
- Regularly inspect and tighten all parts of the treadmill. Keep hands away from all moving parts.
- Never leave the treadmill unattended while it is running. Always remove the safety key and move the on/off switch to the “off” position when the treadmill is not in use. Refer to the console instructions page of this manual for the location and operation of the on /off switch.
- Never leave the treadmill unattended when plugged in.

- When folding or moving the treadmill, make sure that the safety lock is fully engaged. Do not remove the motor cover unless instructed to do so by an authorized service representative. Servicing other than the procedures in this manual should be performed only by an authorized service representative.
- Keep the plug and power cord away from heated surfaces.
- Keep all electrical components, such as the motor, power cord and on/off switch away from water or other liquids to prevent shock. Do not set anything on the handrails, computer console or belt.

**FOR YOUR OWN SAFETY, BE ADVISED OF THE FOLLOWING:**

- Assemble and operate the treadmill on a solid level surface. Keep at least four feet of clearance around the treadmill at all times.
- Always insert the safety key and attach the clip to your clothing on your waist before commencing your workout. If you should encounter problems and need to stop the motor quickly, simply pull the cord to disengage the safety key from the console. To continue operation, simply reinsert the safety key into the console.
- If the supply cord is damaged, it must be replaced by the manufacturer, its service agent or similarly qualified persons in order to avoid a hazard.
- Remove the safety key and store it in a safe place when the treadmill is not in use. Keep the safety key away from children.
- Wear the proper exercise clothing and shoes for your workout. Do not wear loose clothing or shoes with leather soles or heels. Be sure to tie long hair back.
- Keep all loose clothing and towels away from the running surface. The belt will not stop immediately if an object gets caught in the rollers or belt. Should an object gets caught, turn the unit off immediately.
- Proceed with caution when getting on or off the treadmill. Use the handrails whenever possible. Step onto the running belt only when it is running at a very slow speed. Do not step off the treadmill while the belt is moving.
- To get on or off the running surface, straddle the running surface by standing on the right and left platforms on each side of the belt before starting the belt (to begin your workout) and after it has stopped (at the end of your workout).

- Never attempt to turn around while on the treadmill with the belt running. Keep your head and body facing forward at all times.
- Never turn on the treadmill while someone is standing on the running surface.
- Do not rock the treadmill, stand on the handrails or computer console at any time.
- Do not overexert yourself during your workout. Stop your workout immediately if you feel overexerted. If you feel any pain or discomfort, please consult your physician.
- Do not attempt any service on the treadmill yourself other than the assembly and maintenance described in this manual. The treadmill is for household use only. Please refer to the customer service information contained in this manual should your treadmill require additional service other than that described in this manual.
- This appliance is not intended for use by persons (including children) with reduced physical, sensory or mental capabilities, or lack of experience and knowledge, unless they have been given supervision or instruction concerning use of the appliance by a person responsible for their safety. Children should be supervised to ensure that they do not play with the appliance.

## Electrical Safety:

This motorized treadmill must be grounded. Should it break or malfunction, grounding reduces the risk of shock. The treadmill is equipped with a power cord having an equipment-grounding conductor and a grounding plug. The plug must be inserted into an appropriate outlet that is properly installed and grounded in accordance with all local codes and ordinances.

## Important:

Improper connection of the equipment-grounding conductor can result in a risk of an electric shock. If you are in doubt as to whether the treadmill is properly grounded, check with a qualified electrician or service person. Do not modify the plug provided with the treadmill. If it does not fit the outlet, then get a proper outlet installed by a qualified technician.

## Surge Protection:

Although this treadmill is equipped with built-in surge protection, an external surge protector is still recommended.

The treadmill will shut off automatically if it encounters a surge in power. A reset button is located at the lower front of the motor cover. If the treadmill should be shut down, turn the on/off switch to the “off” position, then press the reset button. The treadmill will now work properly.

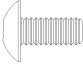



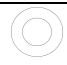
## Important Safety Instructions






1. The machine is for home use
2. The voltage for the machine is 220V.
3. Before operating the machine, please do 10-minute warm-up and wear clothes and shoes that are suitable for sports.
4. Do not stand on the motorized treadmill when you adjust, test or start the motorized treadmill.
5. Be careful when you get on or off the machine. Before starting the machine, please grab the handlebars and place your feet on the side rails (*not the running belt*). After starting the machine, stand on the belt with the machine operating at the lowest speed. Then increase the speed gradually. Before getting off the machine, please decrease the speed to the lowest level in case of any danger.
6. When operating, press the safety at any time, the motor will stop working and the controller will give warnings.
7. Children should be supervised by adults when they play on or beside the machine.
8. The motorized treadmill should be protected from sunshine, damp and dirt. All the parts shall be cleaned often.
9. When the machine is free from using for a long time, please don't place any objects or stand on the machine.

# Assembly Instructions

WHEN YOU OPEN THE CARTON, YOU WILL FIND THE BELOW SPARE PARTS.  
SPARE PARTS LIST

## Hardware Packing List:

Description	Qty
M8X16 MM. Bolt 	8
M8X50 MM Bolt 	2
M10X60MM BOLT 	2
M8 Washer (Ø 8.5xØ16xT1.6) 	10
M10 Washer (Ø 10.5xØ21xT1.6) 	2

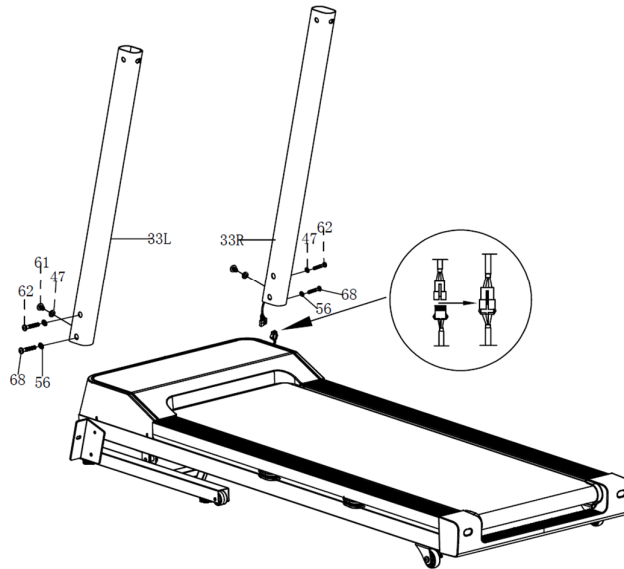
Description	Qty
Ø 4.2x16mm Bolt 	6
Safety key 	1
Lubricant Oil 	1
Allen wrench S5 	1
Allen wrench S6 	1

### NOTE:

1. Above-described parts are all the parts you need to assemble this treadmill. Before you start to assemble, please check the hardware packing to make sure they are included.
2. Please find tools in the hardware pack to help you assemble this treadmill easier.

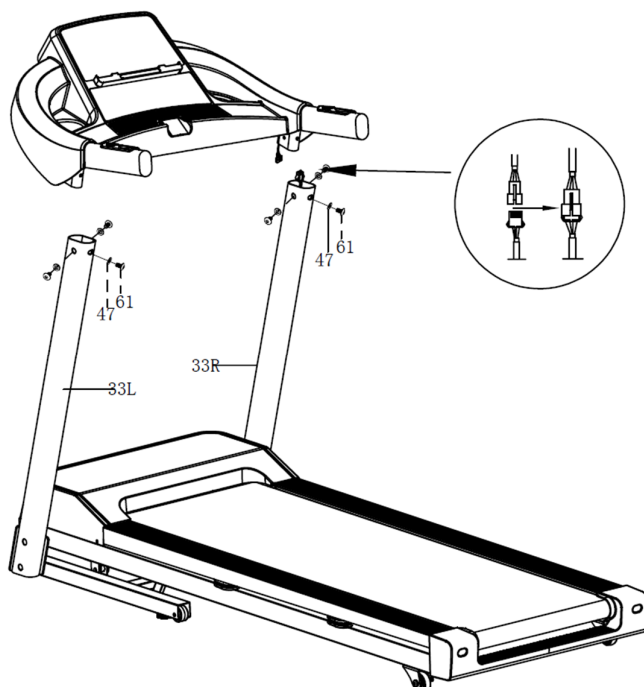
## STEP ONE: Assemble the posts

1. Connect the cable from the 33R upright post and the cable from the main frame.
2. Fix the upright post (33R and 33L) on the right side of main frame use the Bolts (M8\*16-part no.61) and washer (M8 Flat-part no.47), and bolt (M8x50-part no.62) with washer (M8 flat washer-part no. 47), and bolt (M10-part no.68) with washer (M10 flat washer-part no 56).



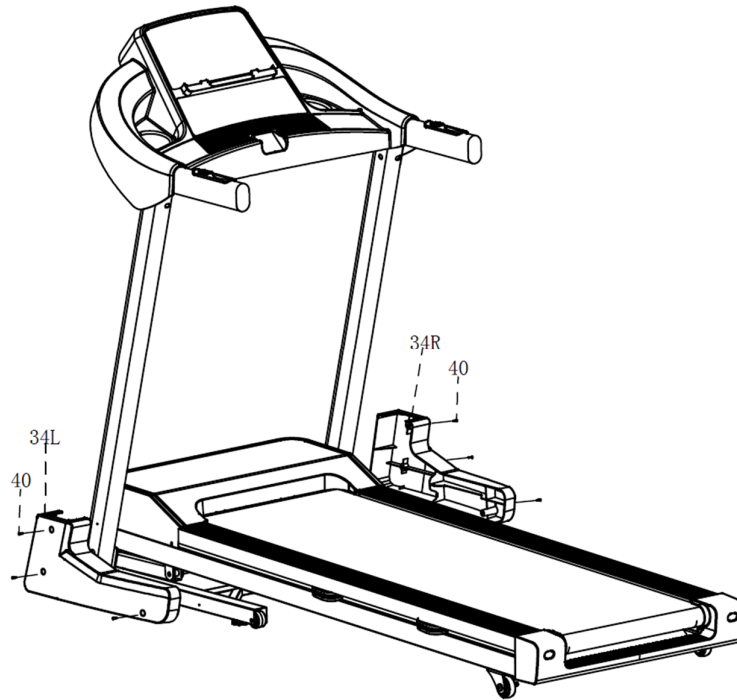
## STEP TWO: Assemble the whole console on the machine

1. Connect the cables between the console (No 1) and the right upright post(33R).
2. Put the console (1) and place it in correspondence to the pre-drilled holes on the upright posts (33L and 33R). Use the supplied bolts (M8 \*16-part no.61) and washer (M8-part no. 47) to fix the console with the upright posts.

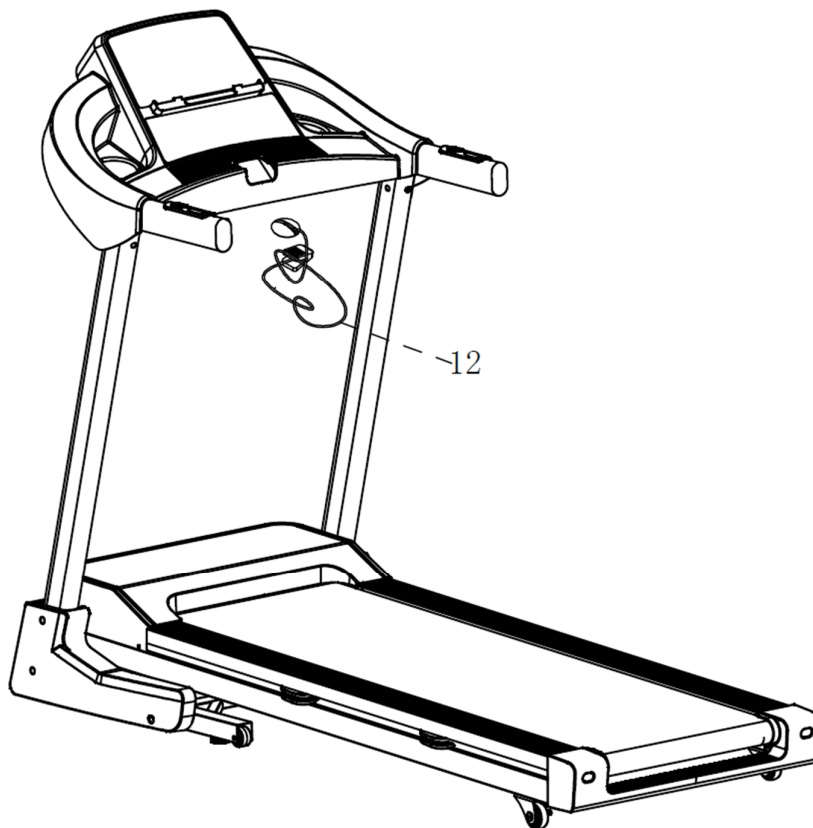


**STEP THREE:** Assemble the side covers on the both upright post

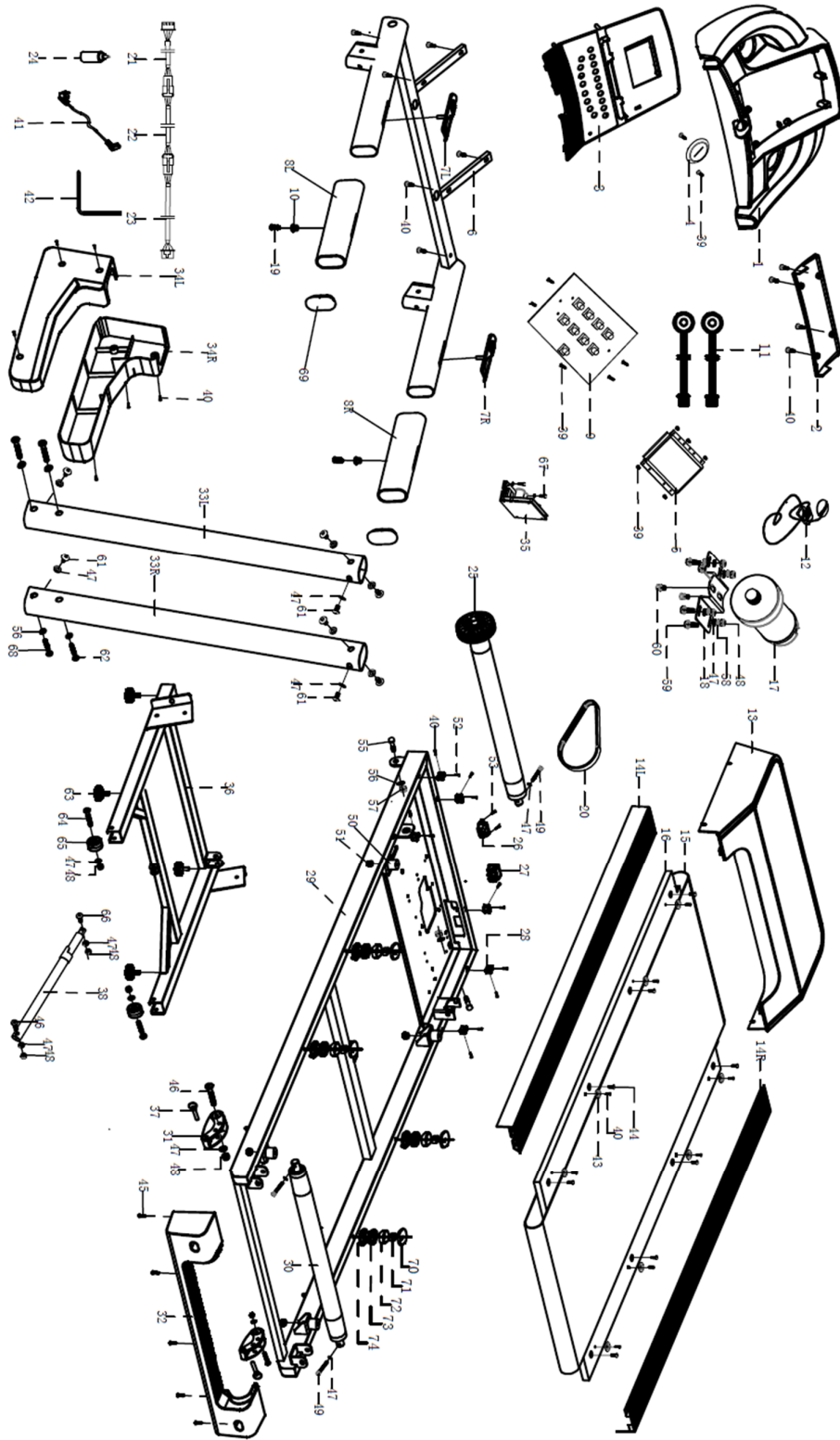
1. Use the supplied screw (4.2\*16mm -part no. 40) to fix the side cover (34 L&R) to the both sides.



**STEP FOUR:** Put on the safety key (12) to the right position



# Exploded Drawing

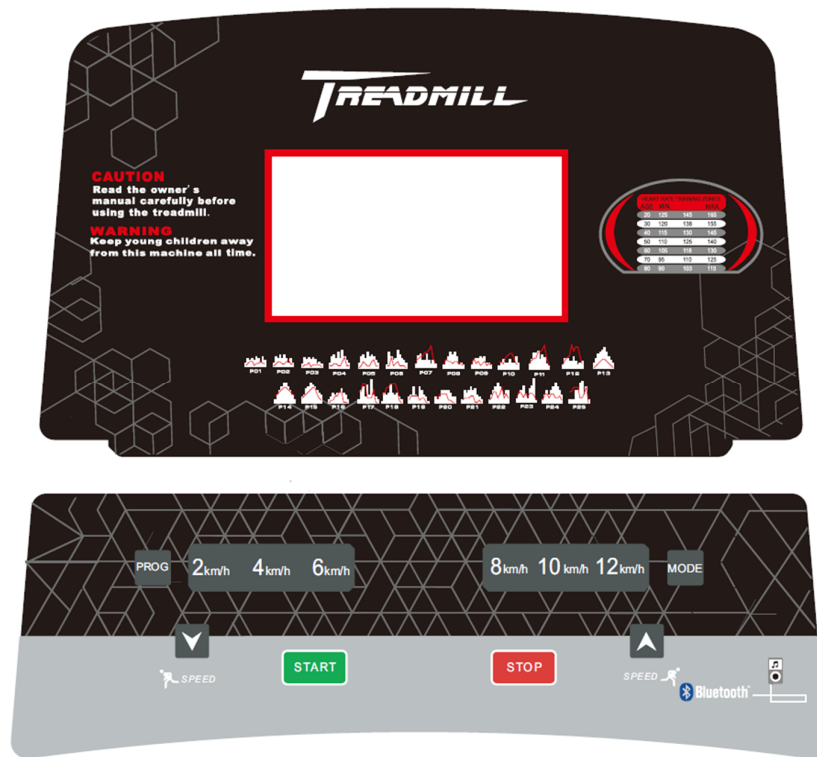


## Spare Part List

No	Parts Name	Qty	No	Parts Name	Qty
1	console plastic	1	39	Bolt $\phi$ 3X7	14
2	console back cover	1	40	bolt $\phi$ 4.2X13	43
3	Display panel plastic	1	41	Power cable	1
4	Safety key base	1	42	Allen wrench	1
5	Lcd display	1	43	side rail fixer	8
6	Handle bar frame	1	44	Bolt M6X25	8
7	Handle pulse	2	45	Bolt st4.2x13	5
8	Handle foam	1	46	Bolt M8x45	3
9	Keyboard	1	47	Flat washer M8	21
10	Plastic sleeve	2	48	Nut M8	10
11	speaker	2	49	Bolt M8x55	3
12	Safety key	1	50	Cushion M6	4
13	Motor cover	1	51	Nut M6	4
14	side rail	2	52	Bolt M4.2x25	6
15	Running belt	1	53	Bolt M4.2x13	2
16	Running plate	1	54	Bolt M10x30	2
17	Motor	1	55	Bolt M10x45	2
18	Motor base plate	1	56	Flat washer M10	4
19	Bolts M4x35	2	57	Nut M10	2
20	Motor belt	1	58	Spring washer	4
21	Connect cable upper	1	59	Bolt M8x20	4
22	Connect cable middle	1	60	Bolt M8x10	2
23	Connect cable down	1	61	Bolt M8x16	8
24	Lubricant oil	1	62	Bolt M8x50	2
25	Front roller	1	63	Foot Rubber	4
26	Socket	1	64	Bolt M8x50	2
27	Switch	1	65	Move wheel	2
28	Fixed plastic	6	66	bolt M8x30	1
29	Frame deck	1	67	Bolt M4x10	2
30	Rear roller	1	68	Bolt M10x50	2
31	Manual incline	2	69	Plastic end cap	2
32	End cap	1	70	Bolt M4x35	2
33	Upright post	2	71	Plastic cover	4
34	Side cover	2	72	cushion	4
35	Controller board	1	73	Plastic sleeve	4
36	Base frame	1	74	spring	4
37	Plug	2	75	Plastic cover	4
38	Cylinder	1			

# Operation Guide

## 1. Console Overlay Picture:



## 2. Display Window:

2.1 "SPEED" window: display the current speed, speed range: 1.0--18KM/H, When use the pre-set programs, will display ""P01-P02-...-P25-U01-U02-U03-HR1-HR3"-FAT

2.2 "TIME" display: display exercise time, positive timing from 0:00-99:59.

2.3 "DISTANCE." Display the running distance, count forward from 0.00-99.9

2.4 "CAL/PULSE "window : movement burns calories consumed calorie value from 0-999, Display hand pulse from 50-200

## 3. Key Functions:

3.1 "START" start the machine, " STOP" stop the treadmill.

3.2 SPEED"+": speed + button, at the running state, press it will be add 0.1KM/H every time ,press it for a long time ,it will add the speed constantly;

3.3 SPEED"-": speed – button, at the running state, press it will decrease 0.1KM/H every time, press it for a long time, it will decrease the speed constantly.

3.4 MODE: mode button at the stopping state, select the countdown time, countdown distance and countdown calories circularly.

3.5 Quickly Speed buttons: 2km/h, 4km/h, 6km/h, 8km/h, 10km/h, 12km/h

3.6 PROG: Use this button to choose the programs.

P01-P25 are pre-set programs

U01-U02-U03 are user program

HP1-HP2-HP3 are heart rate programs

FAT: test the body fat

#### 4. Quick Start (manual mode):

- 4.1 Turn on the power switch, the magnetic security lock properly absorbed in the panel below the safety lock position.
- 4.2 Press "START" start button, the system enters three seconds of the countdown, the buzzer sounds, the time display countdown, 3second countdown after treadmill running speed of 1 km / h.
- 4.3 After the start needed, use the "SPEED +", "SPEED -" keys to adjust the speed of the treadmill;

#### 5 During the movement of the operation:

- 5.1 "Speed –" key will reduce the operating speed of the treadmill.
- 5.2 "Speed +" key will increase the operating speed of the treadmill.
- 5.3 press the "Stop" button, treadmill will stop running.
- 5.4 About five seconds when the movement with both hands heartbeat hand grip heartbeat data.

#### 6. Pre-set Programs

Time	program	Set time/ 10 = every period time									
		1	2	3	4	5	6	7	8	9	10
P01	SPEED	2	4	3	4	3	5	4	2	5	3
P02	SPEED	2	5	4	6	4	6	4	2	4	2
P03	SPEED	2	5	4	5	4	5	4	2	3	2
P04	SPEED	3	6	7	5	8	5	9	6	4	3
P05	SPEED	3	6	7	5	8	6	7	6	4	3
P06	SPEED	2	8	6	4	5	9	7	5	4	3
P07	SPEED	2	6	7	4	4	7	4	2	4	2
P08	SPEED	2	4	6	8	7	8	6	2	3	2
P09	SPEED	2	4	5	5	6	5	6	3	3	2
P10	SPEED	2	3	5	3	3	5	3	6	3	3
P11	SPEED	3	5	8	8	9	5	7	6	3	2
P12	SPEED	2	5	5	4	4	6	4	2	3	4
P13	SPEED	3	5	7	8	9	10	8	6	4	3
P14	SPEED	2	4	6	8	10	10	8	6	4	2
P15	SPEED	3	4	7	8	10	9	8	6	5	4
P16	SPEED	2	3	5	4	5	5	7	5	4	2
P17	SPEED	2	6	8	3	9	4	12	4	3	2
P18	SPEED	1	5	4	5	9	5	4	5	3	2
P19	SPEED	3	4	8	4	3	8	6	4	3	1
P20	SPEED	3	2	3	6	6	6	6	5	3	3
P21	SPEED	2	6	5	6	8	6	7	4	3	2
P22	SPEED	2	4	6	8	10	8	6	4	6	6
P23	SPEED	2	4	6	8	4	2	7	8	12	1
P24	SPEED	2	4	6	4	6	8	10	8	6	4
P25	SPEED	2	2	2	6	6	10	11	4	8	2

## **7. Custom program:**

In addition to the 25 system built-in programs, the treadmill also has 3 user-defined programs that allow users to set according to their personal circumstances: U01, U02, and U03.

### **1. User-defined program settings:**

In standby mode, press the "PROGRAM" button continuously until you want to set the user-defined program (U01-U03). Press the "MODE" button to confirm entering the setting. Then you can set the first time period. Use "SPEED+" and "SPEED -" key or speed shortcut key to set the speed, press the "MODE" key to complete the setting of the first time period and enter the second time period setting state until Complete the settings for all 10 time periods; after the settings are completed, the data will be permanently saved until you reset it next time, and this data will not be lost due to power outage.

### **2. Start the user-defined program:**

A. In standby mode, continuously press the "PROG" button until you want to run the user-defined program (U01-U03), set the running time, and then press the start button to start.

B. After the user-defined program and running time settings are completed, press the start button to start it immediately.

### **3. User-defined program setting instructions:**

Each program divides the exercise time into 10 time periods. When setting, the speed, slope and running time settings of all 10 time periods must be completed before the start button can be pressed to start the treadmill.

## **8.HRC programs (This function only for the treadmill with HRC function)**

8.1 At the stop state and use the "PROG" button to choose the "HR1 or HR2 or HR3.And press the "START" button to start.

"HR1" program, max speed is 8.0km/h, age 30/default heart rate 124

"HR2" program, max speed is 9.0km/h, age 30/default heart rate 143

"HR3" program, max speed is 10.0km/h, age 30/default heart rate 162

8.2 If use the Mode button enter the age setting, the speed window will display 30, setting age from 15-80.(Pls refer the heart rate details as below sheet.

8.3 After set the age, use the Mode button, the system will recommend a hart rate goal and display on the window. But just for reference, the use can set the heart rate according to their body situation to increase the heart rate or reduce the heart rate. Can set heart rate from 86-179.

8.4 After user set the age and heart rate, press the MODE button to enter the time setting, the Time window will display 10:00 as default. Time setting can be between 5-99 minutes.

8.5 Press the mode button to enter the waiting state, or press the Start button to start.

8.6 While using the HRC program, can use the speed button, but the system still will adjust the speed to close your heart rate goal.

8.7 Start the HRC program, at the first 1 minute is warm up time, the system will not adjust the speed. After 1 minute, the system will adjust the speed by 0.5km/h every time to close your set goal. When add the speed to max speed and still did not reach your heart rate goal, then the system will increase your exercise. If the heart rate is more than your set goal, level by 1 level/10

second till to 0, if your heart rate still higher than the goal, then we will reduce 0.5km/h every 10 second.

**Remark:** Must use the wireless chest belt for the HRC programs.

HRC1 Program				HRC2 Program				HRC3 Program			
Age	Target zone (L-H)			Age	Target zone (L-H)			Age	Target zone (L-H)		
	Lowest	Default	Highest		Lowest	Default	Highest		Lowest	Default	Highest
15	128	133	138	15	149	154	159	15	169	174	179
16	128	133	138	16	148	153	158	16	168	173	178
17	127	132	137	17	147	152	157	17	168	173	178
18	126	131	136	18	147	152	157	18	167	172	177
19	126	131	136	19	146	151	156	19	166	171	176
20	125	130	135	20	145	150	155	20	165	170	175
21	124	129	134	21	144	149	154	21	164	169	174
22	124	129	134	22	144	149	154	22	163	168	173
23	123	128	133	23	143	148	153	23	162	167	172
24	122	127	132	24	142	147	152	24	162	167	172
25	122	127	132	25	141	146	151	25	161	166	171
26	121	126	131	26	141	146	151	26	160	165	170
27	120	125	130	27	140	145	150	27	159	164	169
28	120	125	130	28	139	144	149	28	158	163	168
29	119	124	129	29	138	143	148	29	157	162	167
30	119	124	129	30	138	143	148	30	157	162	167
31	118	123	128	31	137	142	147	31	156	161	166
32	117	122	127	32	136	141	146	32	155	160	165
33	117	122	127	33	135	140	145	33	154	159	164
34	116	121	126	34	135	140	145	34	153	158	163
35	115	120	125	35	134	139	144	35	152	157	162
36	115	120	125	36	133	138	143	36	151	156	161
37	114	119	124	37	132	137	142	37	151	156	161
38	113	118	123	38	132	137	142	38	150	155	160
39	113	118	123	39	131	136	141	39	149	154	159
40	112	117	122	40	130	135	140	40	148	153	158
41	111	116	121	41	129	134	139	41	147	152	157
42	111	116	121	42	129	134	139	42	146	151	156
43	110	115	120	43	128	133	138	43	145	150	155
44	109	114	119	44	127	132	137	44	145	150	155
45	109	114	119	45	126	131	136	45	144	149	154
46	108	113	118	46	126	131	136	46	143	148	153
47	107	112	117	47	125	130	135	47	142	147	152
48	107	112	117	48	124	129	134	48	141	146	151
49	106	111	116	49	123	128	133	49	140	145	150
50	106	111	116	50	123	128	133	50	140	145	150
51	105	110	115	51	122	127	132	51	139	144	149
52	104	109	114	52	121	126	131	52	138	143	148
53	104	109	114	53	120	125	130	53	137	142	147
54	103	108	113	54	120	125	130	54	136	141	146
55	102	107	112	55	119	124	129	55	135	140	145
56	102	107	112	56	118	123	128	56	134	139	144
57	101	106	111	57	117	122	127	57	134	139	144
58	100	105	110	58	117	122	127	58	133	138	143
59	100	105	110	59	116	121	126	59	132	137	142
60	99	104	109	60	115	120	125	60	131	136	141
61	98	103	108	61	114	119	124	61	130	135	140

62	98	103	108	62	114	119	124	62	129	134	139
63	97	102	107	63	113	118	123	63	128	133	138
64	96	101	106	64	112	117	122	64	128	133	138
65	96	101	106	65	111	116	121	65	127	132	137
66	95	100	105	66	111	116	121	66	126	131	136
67	94	99	104	67	110	115	120	67	125	130	135
68	94	99	104	68	109	114	119	68	124	129	134
69	93	98	103	69	108	113	118	69	123	128	133
70	93	98	103	70	108	113	118	70	123	128	133
71	92	97	102	71	107	112	117	71	122	127	132
72	91	96	101	72	106	111	116	72	121	126	131
73	91	96	101	73	105	110	115	73	120	125	130
74	90	95	100	74	105	110	115	74	119	124	129
75	89	94	99	75	104	109	114	75	118	123	128
76	89	94	99	76	103	108	113	76	117	122	127
77	88	93	98	77	102	107	112	77	117	122	127
78	87	92	97	78	102	107	112	78	116	121	126
79	87	92	97	79	101	106	111	79	115	120	125
80	86	91	96	80	100	105	110	80	114	119	124

## 9. BODY FAT

9.1 When the treadmill at stop state, use the “PROG” button to choose the “FAT”

9.2 Set the parameter, F-1 Sex, F-2 Age, F-3, Height, F-4, Weight, F-5, body fat, use the speed button can adjust the parameter from F-1 to F-4. use the hand pulse after 5-10 second, then the F-5 will display your body fat.

9.3 While enter the body fat, first display F-1, The number 01 mean is MAN, and 02 means Woman, use the speed button the change.

9.4 Press the mode button will enter F-2, use the speed button to set your age between 10-99.

9.5 Press mode button will enter F-3, use the speed button to adjust your height.

9.6 Press the mode button will enter F-4, use the speed button to adjust your weight.

9.7 Press the model button will display F-5. Setting window will display ---, then use the two-handle bar pulse, after 8 second will display the body fat.

According to Asia people standard, the body fat standard as below

F-1	SEX	1-MAN	2-WOMAN
F-2	AGE	10-99	
F-3	HIGHT	100-200	
F-4	WEIGHT	20-150	
F-5	FAT	≤ 19	Too thin
		= (20---24)	normal
		= (25---29)	Too heavy
		≥ 30	Much heavy

## 10. Safety key function

At any situation, pull off the safety key, the treadmill stop immediately to protect the user.

## 11. Save energy mode.

If you did not use the machine at 10 minute, the machine will enter Save energy mode, and you can press any button to restart the machine.

## 12. Bluetooth function.

You can use the smart phone through the Bluetooth connect speaker in treadmill for play the music, you can adjust the speaker volume from the smart phone.

### 13. Trouble shooting:

Computer not any display. Check all the cable between computer and controller board, make sure the connection pin is good.

**E01.** computer cable connection fail, check the cables between the computer and controller board

**E02.** Check if your power voltage is under 50% of standard power voltage. Check if the controller board with smell, or check the motor connection cable.

**E03.** No speed sensor, check the speed sensor if in right position or dirty or broken. If clean and re-assemble, still not repair, the replace speed sensor

**E05.** Over power current or something was fixed cause the motor not working. Clean the running board and whole machine, add the silicon oil under the running belt, then re-start the machine.

**E08.** The controller board 24C02 broken, replace or re-assemble the 24C02 or replace the whole controller board.

If star the machine, but motor not working, then check the motor connection cable, or check the IGBT from controller board or replace the controller board.

### 14. Calorie:

The manual incline at 0 level, run 1km consume 70.3 Calorie.

$70.3 \times \text{Speed}(\text{km/h}) \times \text{Time}(\text{hour}) \times (1 + \text{incline level}\%)$

### 15. FIT SHOW APP:

- Scan this QR code on your phone to download the “FIT-SHOW” APP, or you can search “FIT-SHOW” on your app store.
- Log in the app with your phone number or email box.
- Switch on the “BLUETOOTH” function before you open the app,
- then search for the device in the app and connect it well.
- You can choose the mode you like to control your treadmill.
- When you are running, your distance/speed/calories/pulse will show on your phone.
- If you choose the MAP mode, you can check your path on your phone.
- When finishing your exercise, the app will save your record on your phone.



# Maintenance Instructions

## Care

For cleaning the running belt use a vacuum cleaner. If the belt is really dirty, please use a wet cloth. Do not use any cleanser. When cleaning, use only a moist cloth and avoid harsh cleaning agents. Ensure that no moisture comes into the computer. Components that come into contact with perspiration, need cleaning only with a damp cloth.

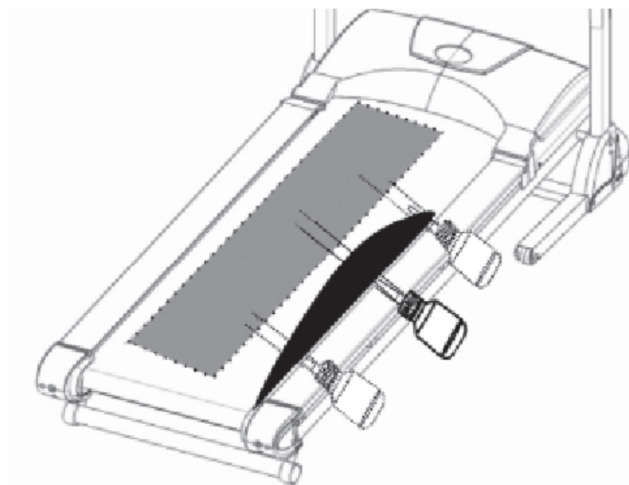
## Lubrication

The treadmills have already been spread with "Silicone Oil" in advance before leaving the manufacturing plant. Silicone oil is without volatility and has gradually permeated through the running belt. There will be no need to re-spread the oil in normal circumstances.

To maintain the running belt, we have included a small bottle of "Silicone Oil". "Silicone Oil" may be re-spread once the resistance has been increased and the running belt starts rubbing against the running deck. To hold open the running belt from two sides, apply the silicone oil with an even motion on the center of the running deck. Allow the silicone oil to 'set' for one minute before using the treadmill.

**Attention:** Only use "Silicone Oil" lubricants for this equipment.

In addition, do not add any other oil ingredient; otherwise the treadmill will be damaged. Do not over-lubricate the walking board. Excess lubricant should be wiped off with a clean towel.



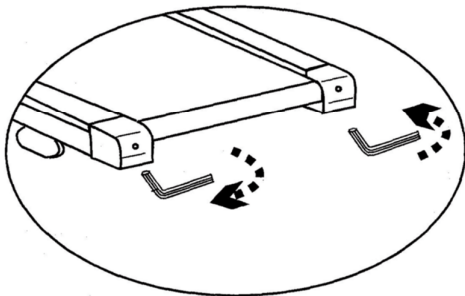
## Centering the Running Belt

During the exercise, one foot is pushing the running belt stronger than the other. According to that, the belt will be moved out of the center. Normally the belt will be centered automatically, but during longer exercise, it can be, that the belt is off the center. In this case, please follow up the following instruction. At the rear end of the running deck, there are 2pcs of Allen screws, which will be used for centering the belt.

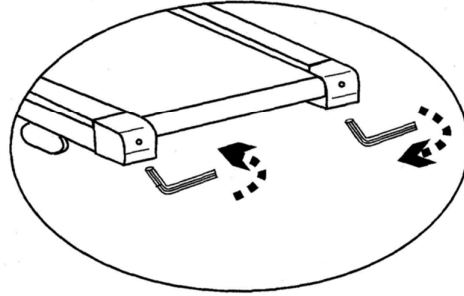
Don't use any loose clothes during centering.

- Please turn the Allen screw not more than  $\frac{1}{4}$  turn for each step.
- Stretch one side and release the other side.
- The speed of the belt has to be 6km/h, but make sure, that nobody is running on the belt.
- If you finish the centering, walk on the treadmill for about 5 minutes, with the speed of 6km/h. If the running belt is still not in centre, please centre the belt again. Pay attention, that you don't force the belt too much, a shorter life will be caused. If the gap on the left side is too big, please turn the left screw a  $\frac{1}{4}$  turn clockwise (tighten it).
- Turn the right screw a  $\frac{1}{4}$  turn anticlockwise (loose it).
- If the gap on the right side is too big, please - turn the left screw a  $\frac{1}{4}$  turn anticlockwise (loose it).
- Turn the right screw a  $\frac{1}{4}$  turn clockwise (tighten it)

Laufbandgurt zu weit rechts/  
running belt moves to right side



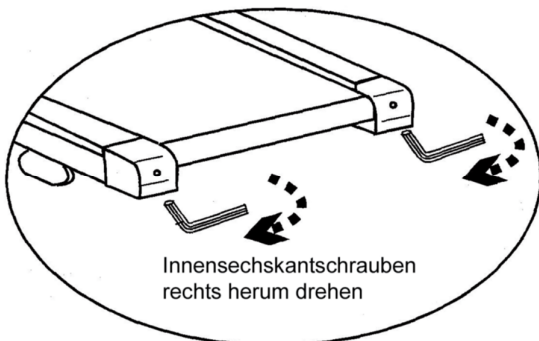
Laufbandgurt zu weit links/  
running belt moves to left side



### Tighten The Belt

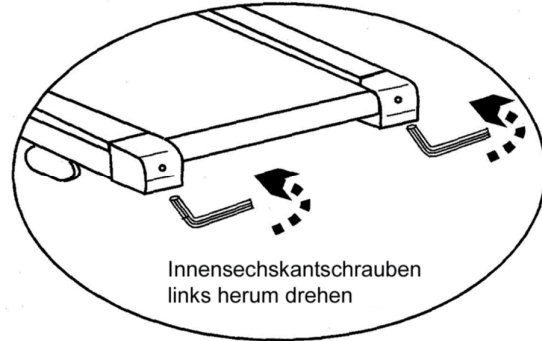
After longer exercise, the tension of the belt will decrease. It can be checked if you put one foot on the belt and belt will stop. To solve this problem, please turn both screws clockwise for  $\frac{1}{4}$  turns. Please do not turn them more. If the belt is running out of the centre, please adjust it like described under above center the belt.

Spannung erhöhen/ tighten the belt



Turn screw clockwise

Spannung lösen/ untighten the belt



Turn screw anticlockwise

# Training Manual

Training with the treadmill is an ideal movement training for strengthening important muscle groups and the cardio-circulatory system.

## General notes for Training

- Never train immediately after a meal.
- If possible, orientate training to pulse rate.
- Do muscle warm-up before starting training by loosening or stretching exercises.
- When finishing training, please reduce speed. Never abruptly end training.

## Training frequency

To improve physical fitness and to enhance condition over the long term, we recommend training at least three times a week. This is the average training frequency for an adult in order to obtain long-term condition success or high fat burning. As your fitness level increases, you can also train daily. It is particularly important to train at regular intervals.

## Training intensity

Carefully structure your training. Training intensity should be increased gradually, so that no fatigue phenomena of the musculature or the locomotion system occurs.

## Heart rate orientated training

For your personal pulse zone it is recommended that an aerobic training range will be chosen. Performance increases in the endurance range are principally achieved by long training units in the aerobic range. Find this zone in the target pulse diagram or orientate yourself on the pulse programs. You should complete 80% of your training time in this aerobic range (up to 75% of your maximum pulse).

In the remaining 20% of the time, you can incorporate load peaks, in order to shift your aerobic threshold upwards. With the resulting training success you can later produce higher performance at the same pulse; this means an improvement in your physical shape. If you already have some experience in pulse-controlled training, you can match your desired pulse zone to your special training plan or fitness status.

**Note:**

Because there are persons who have “high“ and “low“ pulses, the individual optimum pulse zones (aerobic zone, anaerobic zone) may differ from those of the general public (target pulse diagram). In these cases, training must be configured according to individual experience. If beginners are confronted with this phenomenon, it is important that a physician will be consulted before starting training, in order to check health capacity for training.

**Training control**

Both medically and in terms of training physiology, pulse-controlled training makes most sense and is orientated on the individual maximum pulse. This rule applies both to beginners, ambitious recreational athletes and to pros. Depending on the goal of training and performance status, training is done at a specific intensity of individual maximum pulse (expressed in percentage points). In order to effectively configure cardio circulatory training according to sport-medical aspects, we recommend a training pulse rate of 70% - 85% of maximum pulse. Please refer to the following target pulse diagram.

Measure your pulse rate at the following points in time:

1. Before training = resting pulse
2. 10 minutes after starting training = training / working pulse
3. One minute after training = recovery pulse
  - During the first weeks, it is recommended that training will be done at a pulse rate at the lower limit of the training pulse zone (approximately 70 %) or lower.
  - During the next 2 - 4 months, intensify training stepwise until you reach the upper end of the training pulse zone (approximately 85 %), but without overexerting yourself.
  - If you are in good training condition, disperse easier units in the lower aerobic range here and there in the training program so that you regenerate sufficiently. “Good“ training always means training intelligently, which includes regeneration at the right time. Otherwise overtraining results and your form degenerates.
  - Every loading training unit in the upper pulse range of individual performance should always be followed in subsequent training by a regenerative training unit in the lower pulse range (up to 75 % of the maximum pulse).

When condition has improved, higher intensity of training is required for the pulse rate to reach the „training zone“; that means, the organism is capable of higher performance.

## Calculation of the training / working pulse:

220 pulse beats per minute minus age = personal, maximum heart rate (100 %).

Training pulse

Lower limit:  $(220 - \text{age}) \times 0.70$

Upper limit:  $(220 - \text{age}) \times 0.85$

## Training Duration

Every training unit should ideally consist of a warm-up phase, a training phase, and a cool-down phase in order to prevent injuries.

Warm-up: 5 to 10 minutes of slow running.

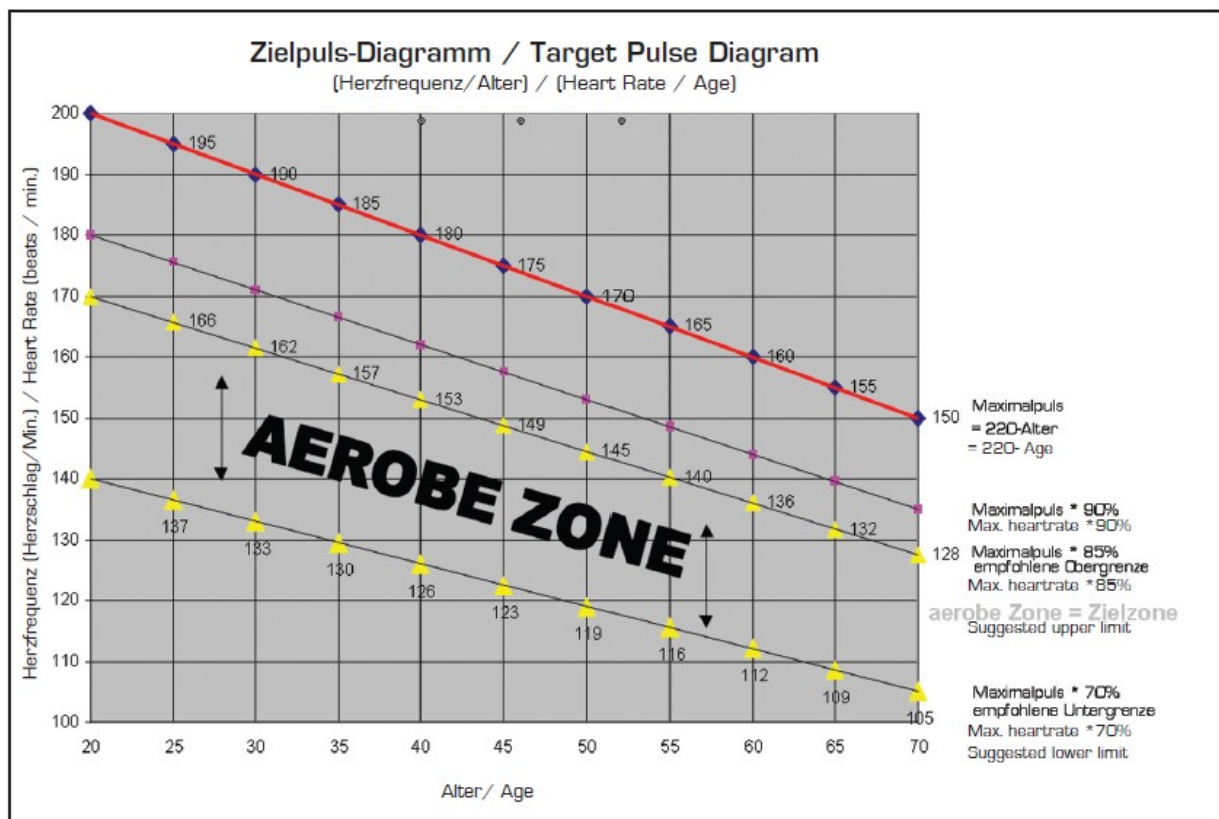
Training: 15 to 40 minutes of intensive or not overtaxing training at the intensity mentioned above.

Cool-down: 5 to 10 minutes of slow running.

Stop training immediately if you feel unwell or if any signs of overexertion occur.

## Alterations of metabolic activity during training:

In the first 10 minutes of endurance performance our bodies consume the sugars stored in our muscles Glycogen.



After about 10 minutes fat is burned in addition.

After 30 - 40 minutes fat metabolism is activated, then the body 's fat is the main source of end.

# Troubleshooting

<b>Problem</b>	<b>Possible Reasons</b>	<b>Solutions</b>
no display	A there is no power supply	supply power or check the socket
	B switch not open	open the switch
	C no power or damage for drive	reset the data or replace the drive
	D the signal line of the electronic watch is broken	replace and connect the line
	E console broken	replace the console
	F the backlight is not bright	Check the backlight or replace the backlight
Incomplete display, missing stroke	A shows drive IC spool welding or continuous welding	Repair, inspect solder joints, resolder in place
	B (liquid crystal) conductive bar sliding, not fixed in place	Reassemble the liquid crystal
	C poor driving IC	Need to repair and weld the new display drive IC
Poor movement, weakness or trembling	A there is resistance in drive part	Adjust transmission parts, or add lubricating oil
	B belt is too tight or too loose	Adjust belt tightness
	C drive torque is too small or too large	adjust the part to right position
E00/E07	A safety key not in right position	put the safety key to the right position
	B The magnetron was not attracted	put the magnetron to right position
E01 Display did not receive the signal, E013, MCB did not receive the signal	A the signal line of electronic watch is not properly connected or has poor contact	Reconnect the connector
	B the signal line of the electronic watch is broken	Replace the signal line
	C the signal line is fault	Replace the console
	D the controller board line is fault	Change controller board
E02 Stall protection	A motor cable connection	Check the motor cable, or replace the motor
	B IGBT Broken	Change controller board

	C Input voltage too low	Stop using, ask electrician to troubleshoot
E03 no speed sensor signal	A speed signal line not connected, or sensor damage	Rewire the speed signal or replace the sensor
	B controller board broken	Change controller board
E05 Over power current	A over load	System protection, manual stop can restart
	B the transmission part is stuck or blocked	Adjust transmission parts, or add lubricating oil
	C motor internal short circuit	Replace the motor
	D Controller board broken	Change controller board
E06 motor not working	A motor wire is not properly connected	Reconnect the motor wire
	B Internal opening of motor	Replace the motor
	C motor idling	Please set up the test if the power over the hour error
E08 storage error	A storage IC is not plugged in place (non-switching power supply)	Re - insert the IC seat and note the PIN1 foot position
	B memory IC is damaged or related circuit is not good	Replace the memory IC or the drive
E09 Back working error	A The treadmill is erected or not placed horizontally	Adjust the treadmill and place it horizontally
	B bad inverted wiring of controller board	Change controller board
E10 Over power current	too much torque on controller board	Adjust the torque potentiometer to the appropriate position
	internal short circuit of motor	Replace the motor
	transmission parts stuck	Adjust transmission parts, or add lubricating oil
E11 Over Voltage	Ac overvoltage: 220V system 260-280vac above; 110V system 145-165vac above	Stop using, ask electrician to troubleshoot
	Ac under voltage: below 220V system 145-160vac; 110V system 60-75vac below	Stop using, ask electrician to troubleshoot

خط إشارة السرعة غير متصل، أو تلف المستشعر	أعد توصيل إشارة السرعة أو استبدل المستشعر	E03 لا توجد إشارة استشعار السرعة
ب- محرك مائل معيب	تغيير لوحة التحكم	
لوحة التحكم C مكسورة	استبدل المحرك المنحدر	
حمولة زائدة	تغيير لوحة التحكم	
ب- جزء ناقل الحركة عالق أو مسدود	حماية النظام، يمكن إعادة تشغيل التوقف اليدوي	E05 أكثر من تيار الطاقة
دائرة قصر داخلية للمحرك C	ضبط أجزاء ناقل الحركة، أو إضافة زيت التشحيم	
D لوحة التحكم مكسورة	استبدل المحرك	
سلك المحرك غير متصل بشكل صحيح	تغيير لوحة التحكم	
ب الفتح الداخلي للمحرك	أعد توصيل سلك المحرك	محرك E06 لا يعمل
تباطؤ المحرك C	استبدل المحرك	
لم يتم توصيل وحدة التخزين IC في مكانها (مصدر طاقة غير قابل للتبديل)	يرجى إعداد الاختبار في حالة وجود خطأ في الطاقة خلال الساعة	
B ذاكرة IC تالفة أو أن الدائرة ذات الصلة ليست جيدة	أعد إدخال مقعد IC ولاحظ موضع قدم PIN1	خطأ في التخزين E08
A تم تركيب جهاز المشي أو عدم وضعه أفقيًا	استبدل وحدة الذاكرة IC أو محرك الأقراص	
ب- الأسلاك المقلوبة السيئة للوحة التحكم	اضبط جهاز المشي وضعه أفقيًا	E09 خطأ في العمل الخلفي
الكثير من عزم الدوران على لوحة التحكم	تغيير لوحة التحكم	
ماس كهربائي داخلي للمحرك	ضبط الجهد عزم الدوران إلى الموضع المناسب	E10 أكثر من تيار الطاقة
أجزاء النقل عالقة	استبدل المحرك	
الجهد الزائد للتيار المتردد: نظام 220 فولت 260-280 فولت تيار متردد أعلاه؛ نظام 110 فولت 145-165 فولت تيار متردد أعلاه	ضبط أجزاء ناقل الحركة، أو إضافة زيت التشحيم	
التيار المتردد تحت الجهد: أقل من نظام 220 فولت 145-160vac؛ نظام 110 فولت 60-75vac أدناه	توقف عن الاستخدام، واطلب من كهربائي استكشاف الأخطاء وإصلاحها	E11 على الجهد الزائد
	توقف عن الاستخدام، واطلب من كهربائي استكشاف الأخطاء وإصلاحها	

## استكشاف الأخطاء وإصلاحها

مشكلة	سبب محتمل	حل
لا يوجد عرض	أ لا يوجد مصدر للطاقة	مصدر الطاقة أو التحقق من المقبس
	التبديل B غير مفتوح	افتح المفتاح
	C لا توجد قوة أو ضرر لمحرك الأقراص	إعادة ضبط البيانات أو استبدال محرك الأقراص
	D خط إشارة الساعة الإلكترونية مكسور	استبدال الخط وتوصيله
	وحدة التحكم الإلكترونية مكسورة	استبدل وحدة التحكم
	F الإضاءة الخلفية ليست مشرقة	تحقق من الإضاءة الخلفية أو استبدل الإضاءة الخلفية
عرض غير كامل، السكتة الدماغية في عداد المفقودين	يظهر لحم بكرة IC أو اللحم المستمر	إصلاح وفحص وصلات اللحم وإعادة اللحم في مكانها
	ب (البلور السائل) شريط موصل منزلق، غير ثابت في مكانه	إعادة تجميع الكريستال السائل
	ج- القيادة السيئة IC	تحتاج إلى إصلاح ولحام محرك العرض الجديد IC
ضعف الحركة أو الضعف أو الارتعاش	هناك مقاومة في جزء القيادة	ضبط أجزاء ناقل الحركة، أو إضافة زيت التشحيم
	الحزام B ضيق جدًا أو فضفاض جدًا	ضبط ضيق الحزام
	عزم دوران المحرك C صغير جدًا أو كبير جدًا	ضبط الجزء ti الموضع الصحيح
E00/E07	مفتاح الأمان ليس في وضعه الصحيح	ضع مفتاح الأمان في الموضع الصحيح
	ب- عدم جذب المغنطرون	ضع المغنطرون في الموضع الصحيح
شاشة E01 لم تستقبل الإشارة، E013، MCB لم تستقبل الإشارة	خط الإشارة الخاص بالساعة الإلكترونية غير متصل بشكل صحيح أو أن اتصاله ضعيف	أعد توصيل الموصل
	ب- خط إشارة الساعة الإلكترونية مكسور	استبدل خط الإشارة
	ج خط الإشارة معيب	استبدل وحدة التحكم
	D خط لوحة التحكم معيب	تغيير لوحة التحكم
	اتصال كابل المحرك	افحص كابل المحرك، أو استبدل المحرك
E02 حماية المماثلة	ب IGBT مكسورة	تغيير لوحة التحكم
	ج- جهد الإدخال منخفض جدًا	توقف عن الاستخدام، واطلب من كهربائي استكشاف الأخطاء وإصلاحها

## حساب نبض التدريب / العمل:

220 نبضة في الدقيقة ناقص العمر = الشخصية، الحد الأقصى لمعدل ضربات القلب (100%).  
نبض التدريب

الحد الأدنى:  $0.70 \times (220 - \text{العمر})$

الحد الأعلى:  $0.85 \times (220 - \text{العمر})$

## مدة التدريب

يجب أن تتكون كل وحدة تدريب بشكل مثالي من مرحلة إحماء، ومرحلة تدريب، ومرحلة تهدئة لتجنب الإصابات.

الإحماء: من 5 إلى 10 دقائق من الجري البطيء.

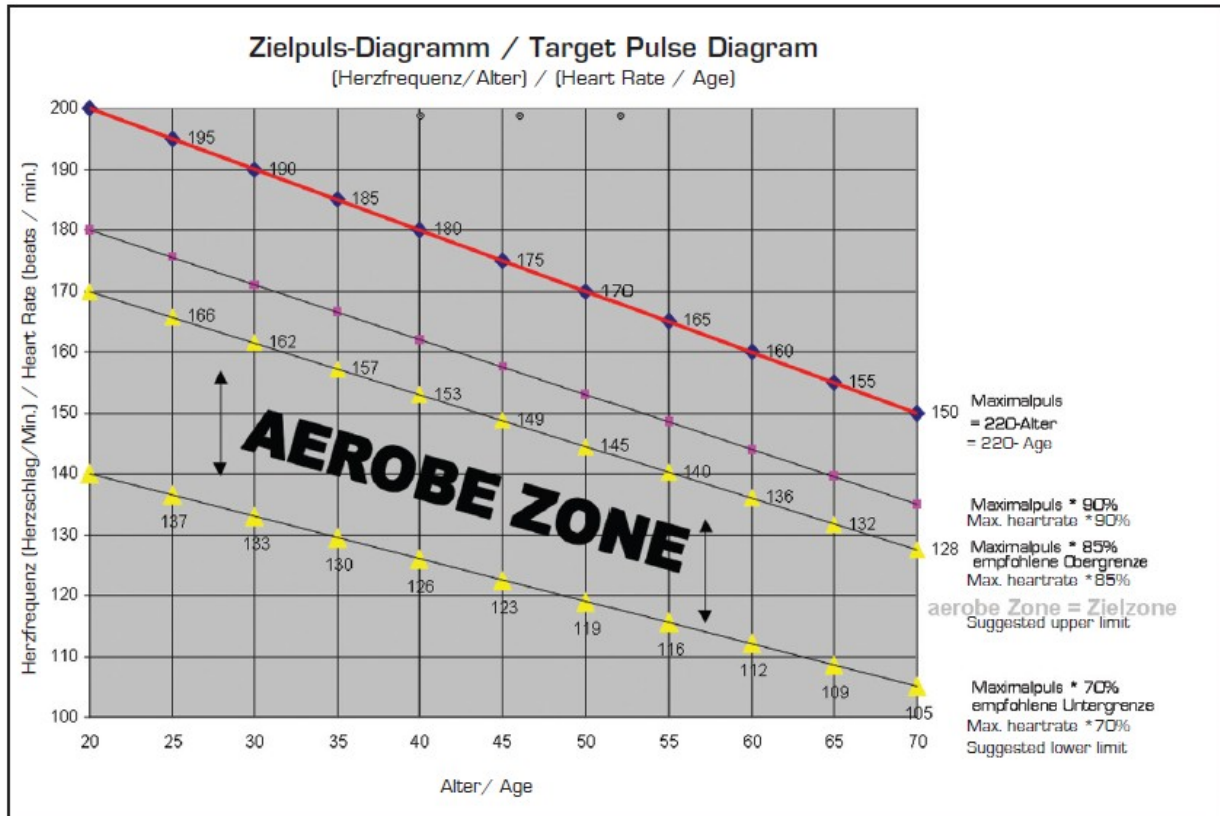
التدريب: من 15 إلى 40 دقيقة من التدريب المكثف أو غير المكثف بالكثافة المذكورة أعلاه.

التهدئة: من 5 إلى 10 دقائق من الجري البطيء.

توقف عن التدريب فورًا إذا شعرت بتوعك أو في حالة ظهور أي علامات للإرهاق.

## تغيرات النشاط الأيضي أثناء التدريب:

في الدقائق العشر الأولى من أداء التحمل، تستهلك أجسامنا السكريات المخزنة في عضلاتنا، الجليكوجين.



وبعد حوالي 10 دقائق يتم حرق الدهون أيضًا.

وبعد 30 - 40 دقيقة يتم تنشيط عملية التمثيل الغذائي للدهون، وتكون دهون الجسم هي المصدر الرئيسي للنهاية.

## ملحوظة:

نظرًا لوجود أشخاص لديهم نبضات "عالية" و"منخفضة"، فإن مناطق النبض المثالية الفردية (المنطقة الهوائية، المنطقة اللاهوائية) قد تختلف عن تلك الموجودة في عامة الناس (مخطط النبض المستهدف). في هذه الحالات، يجب أن يتم تكوين التدريب وفقًا للخبرة الفردية. وإذا واجه المبتدئون هذه الظاهرة فمن المهم استشارة الطبيب قبل البدء بالتدريب، وذلك للتأكد من القدرة الصحية للتدريب.

## السيطرة على التدريب

سواء من الناحية الطبية أو من حيث علم وظائف الأعضاء التدريبي، فإن التدريب الذي يتم التحكم فيه بالنبض هو الأكثر منطقية ويتم توجيهه نحو الحد الأقصى للنبض الفردي. تنطبق هذه القاعدة على المبتدئين والرياضيين الترفيهيين الطموحين والمحترفين. اعتمادًا على هدف التدريب وحالة الأداء، يتم التدريب بكثافة محددة من الحد الأقصى للنبض الفردي (معبّرًا عنه بالنقاط المئوية). من أجل تكوين تدريب القلب والدورة الدموية بشكل فعال وفقًا للجوانب الطبية الرياضية، نوصي بمعدل نبض تدريبي يتراوح بين 70% - 85% من الحد الأقصى للنبض. يرجى الرجوع إلى مخطط نبض الهدف التالي.

### قم بقياس معدل نبضك في النقاط الزمنية التالية:

1. قبل التدريب = نبض الراحة
2. 10 دقائق بعد بدء التدريب = التدريب / نبض العمل
3. دقيقة واحدة بعد التدريب = نبض التعافي

- خلال الأسابيع الأولى، يوصى بأن يتم التدريب بمعدل نبض عند الحد الأدنى لمنطقة نبض التدريب (حوالي 70%) أو أقل.
- خلال 2-4 أشهر القادمة، قم بتكثيف التدريب تدريجيًا حتى تصل إلى الطرف العلوي لمنطقة نبض التدريب (حوالي 85%)، ولكن دون إرهاق نفسك.
- إذا كنت في حالة تدريبية جيدة، قم بتوزيع الوحدات الأسهل في النطاق الهوائي الأدنى هنا وهناك في البرنامج التدريبي حتى تتمكن من تجديد نشاطك بشكل كافٍ. التدريب "الجيد" يعني دائمًا التدريب بذكاء، والذي يتضمن التجديد في الوقت المناسب. وإلا فإن الإفراط في التدريب يؤدي إلى تدهور النموذج الخاص بك.
- كل وحدة تدريب تحميل في نطاق النبض العلوي للأداء الفردي يجب أن تتبع دائمًا في التدريب اللاحق بواسطة وحدة تدريب متجدد في نطاق النبض الأدنى (حتى 75% من الحد الأقصى للنبض). عندما تتحسن الحالة، يلزم زيادة كثافة التدريب حتى يصل معدل النبض إلى "منطقة التدريب"؛ وهذا يعني أن الكائن الحي قادر على أداء أعلى.

## دليل التدريب

يعد التدريب باستخدام جهاز المشي تمرينًا مثاليًا للحركة لتقوية مجموعات العضلات المهمة ونظام الدورة الدموية للقلب.

### ملاحظات عامة للتدريب

- لا تتدرب أبدًا مباشرة بعد تناول الوجبة.
- إذا أمكن، قم بتوجيه التدريب وفقًا لمعدل النبض.
- قم بإحماء العضلات قبل البدء بالتدريب عن طريق تمارين البسط أو التمدد.
- عند الانتهاء من التدريب، يرجى تقليل السرعة. لا تنتهي أبدًا من التدريب بشكل مفاجئ.

### تردد التدريب

لتحسين اللياقة البدنية وتعزيز الحالة على المدى الطويل، نوصي بالتدريب ثلاث مرات على الأقل في الأسبوع. هذا هو متوسط تكرار التدريب لشخص بالغ من أجل تحقيق النجاح على المدى الطويل أو حرق الدهون بشكل كبير. مع زيادة مستوى لياقتك البدنية، يمكنك أيضًا التدريب يوميًا. من المهم بشكل خاص التدريب على فترات منتظمة.

### شدة التدريب

هيكلية التدريب الخاص بك بعناية. يجب زيادة شدة التدريب تدريجيًا، حتى لا تحدث ظاهرة التعب في العضلات أو الجهاز الحركي.

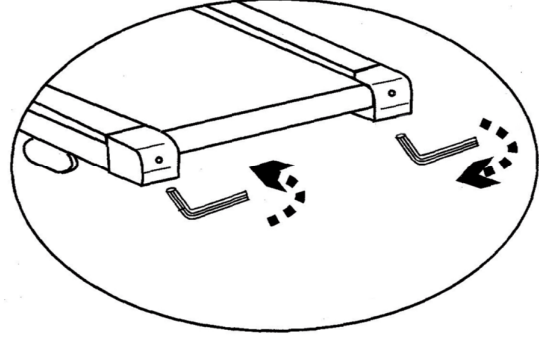
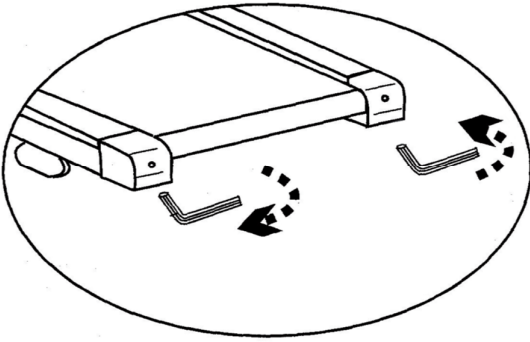
### التدريب الموجه لمعدل ضربات القلب

بالنسبة لمنطقة النبض الشخصية الخاصة بك، يوصى باختيار نطاق تدريب هوائي. يتم تحقيق زيادات الأداء في نطاق التحمل بشكل أساسي من خلال وحدات التدريب الطويلة في النطاق الهوائي. ابحث عن هذه المنطقة في مخطط النبض المستهدف أو توجه إلى برامج النبض. يجب عليك إكمال 80% من وقت تدريبك في هذا النطاق الهوائي (ما يصل إلى 75% من الحد الأقصى لنبضك).

في الـ 20% المتبقية من الوقت، يمكنك دمج قمع الحمل، من أجل رفع عتبة التمارين الهوائية الخاصة بك إلى أعلى. ومع نجاح التدريب الناتج، يمكنك لاحقًا إنتاج أداء أعلى بنفس النبض؛ وهذا يعني تحسنا في الشكل البدني الخاص بك. إذا كان لديك بالفعل بعض الخبرة في التدريب الذي يتم التحكم فيه بالنبض، فيمكنك مطابقة منطقة النبض المرغوبة مع خطة التدريب الخاصة بك أو حالة اللياقة البدنية.

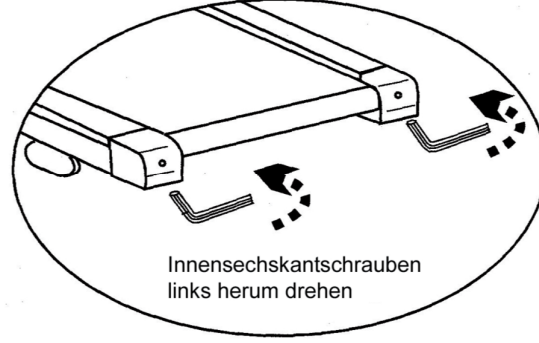
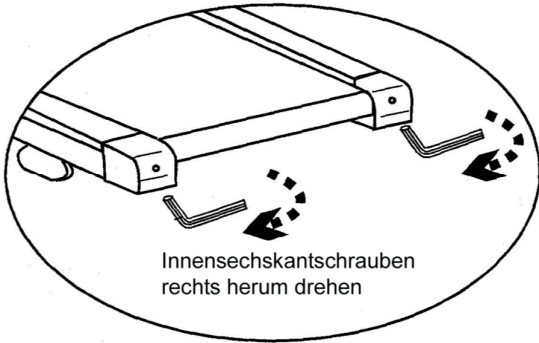
## لا تستخدم أي ملابس فضفاضة أثناء التمرکز.

- يرجى تدوير برغي Allen بما لا يزيد عن 1/4 دورة لكل خطوة.
- قم بتمديد أحد الجانبين ثم حرر الجانب الآخر.
- يجب أن تكون سرعة الحزام 6 كم/ساعة، ولكن تأكد من عدم جري أي شخص على الحزام.
- إذا انتهيت من التوسيط، قم بالمشي على جهاز المشي لمدة 5 دقائق تقريباً بسرعة 6 كم/ساعة. إذا لم يكن سير الجري في المنتصف، فيرجى توسيط الحزام مرة أخرى. انتبه، لا تضغط على الحزام كثيراً، فسيؤدي ذلك إلى قصر العمر. إذا كانت الفجوة الموجودة على الجانب الأيسر كبيرة جداً، فيرجى تدوير المسمار الأيسر بمقدار ربع دورة في اتجاه عقارب الساعة (أحکم ربطه).
- أدر المسمار الأيمن ربع دورة عكس اتجاه عقارب الساعة (قم بفكه).
- إذا كانت الفجوة الموجودة على الجانب الأيمن كبيرة جداً، فيرجى - تدوير المسمار الأيسر ربع دورة عكس اتجاه عقارب الساعة (فكه).
- أدر المسمار الأيمن ربع دورة في اتجاه عقارب الساعة (اربطه).



## تشديد الحزام

بعد التمرين لفترة أطول، سيقبل شد الحزام. يمكن التحقق منه إذا وضعت قدمًا واحدة على الحزام وسيتوقف الحزام. لحل هذه المشكلة، يرجى إدارة كلا المسمارين في اتجاه عقارب الساعة لمدة ربع دورة. من فضلك لا تحولهم أكثر. إذا كان الحزام ينفذ من المركز، فيرجى ضبطه كما هو موضح أسفل وسط الحزام أعلاه.



# تعليمات الصيانة

## رعاية

لتنظيف حزام الجري، استخدم مكنسة كهربائية. إذا كان الحزام متسخًا حقًا، فيرجى استخدام قطعة قماش مبللة. لا تستخدم أي منظف. عند التنظيف، استخدم قطعة قماش مبللة فقط وتجنب مواد التنظيف القاسية. تأكد من عدم دخول أي رطوبة إلى الكمبيوتر. المكونات التي تتلامس مع العرق، تحتاج إلى التنظيف بقطعة قماش مبللة فقط.

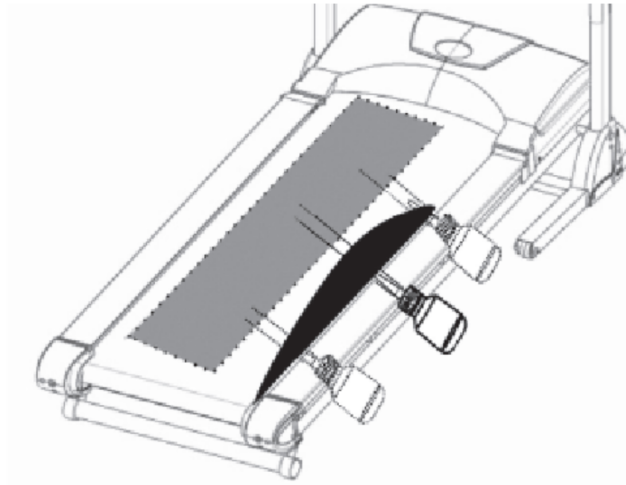
## تشحيم

لقد تم بالفعل دهن أجهزة المشي بـ "زيت السيليكون" مسبقًا قبل مغادرة مصنع التصنيع. زيت السيليكون ليس متطايرًا وقد تغلغل تدريجيًا عبر حزام الجري. ولن تكون هناك حاجة لإعادة دهن الزيت في الظروف العادية.

للحفاظ على سير الجري، قمنا بإدراج زجاجة صغيرة من "زيت السيليكون". يمكن إعادة توزيع "زيت السيليكون" بمجرد زيادة المقاومة ويبدأ سير الجري في الاحتكاك بسطح الجري. لنتشيت حزام الجري مفتوحًا من الجانبين، ضع زيت السيليكون بحركة متساوية على منتصف سطح الجري. اترك زيت السيليكون يستقر لمدة دقيقة واحدة قبل استخدام جهاز المشي.

**تنبيه:** استخدم فقط مواد التشحيم "زيت السيليكون" لهذه المعدات.

بالإضافة إلى ذلك، لا تضيف أي مكون زيتي آخر؛ وإلا فسوف يتلف جهاز المشي. لا تفرط في تشحيم لوح المشي. يجب مسح مواد التشحيم الزائدة بمنشفة نظيفة.



## توسيط حزام الجري

أثناء التمرين، تقوم إحدى القدمين بدفع حزام الجري بشكل أقوى من الأخرى. ووفقًا لذلك، سيتم نقل الحزام من المركز. عادةً ما يتم وضع الحزام في المنتصف تلقائيًا، ولكن أثناء التمرين الطويل، قد يكون الحزام بعيدًا عن المركز. وفي هذه الحالة، يرجى اتباع التعليمات التالية. في الطرف الخلفي من سطح التشغيل، يوجد قطعتان من براغي Allen، والتي سيتم استخدامها لتوسيط الحزام.

### 13. استكشاف الأخطاء وإصلاحها:

- الكمبيوتر ليس أي عرض. تحقق من جميع الكابلات بين الكمبيوتر ولوحة التحكم، وتأكد من أن دبوس الاتصال جيد.
- E01. فشل اتصال كابل الكمبيوتر، تحقق من الكابلات بين الكمبيوتر ولوحة التحكم
- E02. تحقق مما إذا كان جهد الطاقة لديك أقل من 50% من جهد الطاقة القياسي. تحقق مما إذا كانت هناك رائحة في لوحة التحكم، أو تحقق من كابل توصيل المحرك.
- E03. لا يوجد مستشعر سرعة، تحقق من مستشعر السرعة إذا كان في الموضع الصحيح أو متسخًا أو مكسورًا. إذا تم تنظيفه وإعادة تجميعه، فلا يزال غير قابل للإصلاح، قم باستبدال مستشعر السرعة
- E04. قضية المنحدر. افحص كابل محرك الميل أو أعد ضبط محرك الميل
- E05. التيار الزائد أو تم إصلاح شيء ما يتسبب في عدم عمل المحرك. قم بتنظيف لوحة التشغيل والجهاز بالكامل، ثم أضف زيت السيليكون أسفل حزام التشغيل، ثم أعد تشغيل الجهاز.
- E08. لوحة التحكم C0224 مكسورة أو تستبدل أو تعيد تجميع C0224 أو تستبدل لوحة التحكم بالكامل.
- إذا تم تشغيل الجهاز، ولكن المحرك لا يعمل، فتتحقق من كابل توصيل المحرك، أو تحقق من IGBT من لوحة التحكم أو استبدل لوحة التحكم.

### 14. السرعات الحرارية :

المنحدر اليدوي عند مستوى 0، الجري لمسافة كيلومتر واحد يستهلك 70.3 سرعة حرارية.  
 $70.3 \times \text{السرعة (كم/ساعة)} \times \text{الوقت (ساعة)} \times (1 + \text{مستوى الانحدار} \%)$

### 15. تطبيق فيت شو:

- قم بمسح رمز QR هذا على هاتفك لتنزيل تطبيق "FIT-SHOW"، أو يمكنك البحث عن "FIT-SHOW" في متجر التطبيقات الخاص بك.
- قم بتسجيل الدخول إلى التطبيق باستخدام رقم هاتفك أو صندوق البريد الإلكتروني.
- قم بتنشغيل وظيفة "BLUETOOTH" قبل فتح التطبيق،
- ثم ابحث عن الجهاز في التطبيق وقم بتوصيله جيداً.
- يمكنك اختيار الوضع الذي تفضله للتحكم في جهاز المشي الخاص بك.
- أثناء الجري، ستظهر المسافة/السرعة/السرعات الحرارية/النبض على هاتفك.
- إذا اخترت وضع MAP، يمكنك التحقق من مسارك على هاتفك.
- عند الانتهاء من التمرين، سيقوم التطبيق بحفظ السجل الخاص بك على هاتفك.



68	94	99	104	68	109	114	119	68	124	129	134
69	93	98	103	69	108	113	118	69	123	128	133
70	93	98	103	70	108	113	118	70	123	128	133
71	92	97	102	71	107	112	117	71	122	127	132
72	91	96	101	72	106	111	116	72	121	126	131
73	91	96	101	73	105	110	115	73	120	125	130
74	90	95	100	74	105	110	115	74	119	124	129
75	89	94	99	75	104	109	114	75	118	123	128
76	89	94	99	76	103	108	113	76	117	122	127
77	88	93	98	77	102	107	112	77	117	122	127
78	87	92	97	78	102	107	112	78	116	121	126
79	87	92	97	79	101	106	111	79	115	120	125
80	86	91	96	80	100	105	110	80	114	119	124

## 9. دهنون الجسم

- 9.1 عندما يكون جهاز المشي في حالة التوقف، استخدم الزر "PROG" لاختيار "FAT"
- 9.2 قم بتعيين المعلمة، F-1 الجنس، F-2 العمر، F-3، الارتفاع، F-4، الوزن، F-5، دهنون الجسم، استخدم زر السرعة لضبط المعلمة من F-1 إلى F-4 . استخدم نبض اليد بعد 5-10 ثوان، ثم سيعرض F-5 الدهون في جسمك.
- 9.3 أثناء إدخال الدهون في الجسم، قم أولاً بعرض F-1، الرقم 01 يعني رجل، و02 يعني امرأة، استخدم زر السرعة للتغيير.
- 9.4 اضغط على زر الوضع سيدخل F-2، استخدم زر السرعة لتعيين عمرك بين 10-99.
- 9.5 اضغط على زر الوضع سيدخل F-3، استخدم زر السرعة لضبط طولك.
- 9.6 اضغط على زر الوضع سيدخل F-4، استخدم زر السرعة لضبط وزنك.
- 9.7 اضغط على زر النموذج وسيعرض F-5. سيتم عرض نافذة الإعداد ---، ثم استخدم نبض الشريط ذو المقبضين، بعد 8 ثوان ستعرض الدهون في الجسم.

وفقاً لمعايير الناس في آسيا، معيار الدهون في الجسم على النحو التالي

F-1	الجنس	1-رجل	2- امرأة
F-2	عمر	10-99	
F-3	ارتفاع	100-200	
F-4	وزن	20-150	
F-5	سمين	≤19	رفيع جداً
		= (20---24)	طبيعي
		= (25---29)	ثقيل جداً
		≥30	ثقيلة جداً

## 10. وظيفة مفتاح السلامة

في أي موقف، اسحب مفتاح الأمان، وسيتوقف جهاز المشي على الفور لحماية المستخدم.

## 11. وضع توفير الطاقة.

إذا لم تستخدم الجهاز لمدة 10 دقائق، فسوف يدخل الجهاز في وضع توفير الطاقة، ويمكنك الضغط على أي زر لإعادة تشغيل الجهاز.

## 12. وظيفة بلوتوث.

يمكنك استخدام الهاتف الذكي من خلال مكبر الصوت الذي يعمل بتقنية Bluetooth في جهاز المشي لتشغيل الموسيقى، ويمكنك ضبط مستوى صوت مكبر الصوت من الهاتف الذكي.

برنامج HRC1				برنامج HRC2				برنامج HRC3			
عمر	المنطقة المستهدفة (L-H)			عمر	المنطقة المستهدفة (L-H)			عمر	المنطقة المستهدفة (L-H)		
	أدنى	تقشير	الأعلى		أدنى	تقشير	الأعلى		أدنى	تقشير	الأعلى
15	128	133	138	15	149	154	159	15	169	174	179
16	128	133	138	16	148	153	158	16	168	173	178
17	127	132	137	17	147	152	157	17	168	173	178
18	126	131	136	18	147	152	157	18	167	172	177
19	126	131	136	19	146	151	156	19	166	171	176
20	125	130	135	20	145	150	155	20	165	170	175
21	124	129	134	21	144	149	154	21	164	169	174
22	124	129	134	22	144	149	154	22	163	168	173
23	123	128	133	23	143	148	153	23	162	167	172
24	122	127	132	24	142	147	152	24	162	167	172
25	122	127	132	25	141	146	151	25	161	166	171
26	121	126	131	26	141	146	151	26	160	165	170
27	120	125	130	27	140	145	150	27	159	164	169
28	120	125	130	28	139	144	149	28	158	163	168
29	119	124	129	29	138	143	148	29	157	162	167
30	119	124	129	30	138	143	148	30	157	162	167
31	118	123	128	31	137	142	147	31	156	161	166
32	117	122	127	32	136	141	146	32	155	160	165
33	117	122	127	33	135	140	145	33	154	159	164
34	116	121	126	34	135	140	145	34	153	158	163
35	115	120	125	35	134	139	144	35	152	157	162
36	115	120	125	36	133	138	143	36	151	156	161
37	114	119	124	37	132	137	142	37	151	156	161
38	113	118	123	38	132	137	142	38	150	155	160
39	113	118	123	39	131	136	141	39	149	154	159
40	112	117	122	40	130	135	140	40	148	153	158
41	111	116	121	41	129	134	139	41	147	152	157
42	111	116	121	42	129	134	139	42	146	151	156
43	110	115	120	43	128	133	138	43	145	150	155
44	109	114	119	44	127	132	137	44	145	150	155
45	109	114	119	45	126	131	136	45	144	149	154
46	108	113	118	46	126	131	136	46	143	148	153
47	107	112	117	47	125	130	135	47	142	147	152
48	107	112	117	48	124	129	134	48	141	146	151
49	106	111	116	49	123	128	133	49	140	145	150
50	106	111	116	50	123	128	133	50	140	145	150
51	105	110	115	51	122	127	132	51	139	144	149
52	104	109	114	52	121	126	131	52	138	143	148
53	104	109	114	53	120	125	130	53	137	142	147
54	103	108	113	54	120	125	130	54	136	141	146
55	102	107	112	55	119	124	129	55	135	140	145
56	102	107	112	56	118	123	128	56	134	139	144
57	101	106	111	57	117	122	127	57	134	139	144
58	100	105	110	58	117	122	127	58	133	138	143
59	100	105	110	59	116	121	126	59	132	137	142
60	99	104	109	60	115	120	125	60	131	136	141
61	98	103	108	61	114	119	124	61	130	135	140
62	98	103	108	62	114	119	124	62	129	134	139
63	97	102	107	63	113	118	123	63	128	133	138
64	96	101	106	64	112	117	122	64	128	133	138
65	96	101	106	65	111	116	121	65	127	132	137
66	95	100	105	66	111	116	121	66	126	131	136
67	94	99	104	67	110	115	120	67	125	130	135

## 7. برنامج مخصص:

بالإضافة إلى 25 برنامجًا مدمجًا في النظام، يحتوي جهاز المشي أيضًا على 3 برامج يحددها المستخدم والتي تتيح للمستخدمين الضبط وفقًا لظروفهم الشخصية: U01، وU02، وU03.

### 1. إعدادات البرنامج المحددة من قبل المستخدم:

في وضع الاستعداد، اضغط على زر "البرنامج" بشكل مستمر حتى تريد ضبط البرنامج المحدد من قبل المستخدم (U01-U03). اضغط على زر "MODE" لتأكيد إدخال الإعداد. ثم يمكنك ضبط الفترة الزمنية الأولى. استخدم مفتاح "+SPEED" و"- SPEED" أو مفتاح اختصار السرعة لضبط السرعة، واضغط على مفتاح "MODE" لإكمال إعداد الفترة الزمنية الأولى وأدخل حالة ضبط الفترة الزمنية الثانية حتى أكمل الإعدادات لجميع الأوقات العشرة فترات؛ وبعد الانتهاء من الإعدادات، سيتم حفظ البيانات بشكل دائم حتى تقوم بإعادة ضبطها في المرة القادمة، ولن يتم فقدان هذه البيانات بسبب انقطاع التيار الكهربائي.

### 2. ابدأ البرنامج المحدد من قبل المستخدم:

a. في وضع الاستعداد، اضغط باستمرار على زر "PROG" حتى تريد تشغيل البرنامج المحدد من قبل المستخدم (U01-U03)، واضبط وقت التشغيل، ثم اضغط على زر البدء للبدء.  
b. بعد اكتمال إعدادات البرنامج المحدد من قبل المستخدم ووقت التشغيل، اضغط على زر البدء لبدء تشغيله على الفور.  
3. تعليمات إعداد البرنامج المحدد من قبل المستخدم:

يقسم كل برنامج وقت التمرين إلى 10 فترات زمنية. عند الضبط، يجب إكمال إعدادات السرعة والانحدار ووقت التشغيل لجميع الفترات الزمنية العشرة قبل أن تتمكن من الضغط على زر البدء لبدء تشغيل جهاز المشي.

## 8. برامج HRC (هذه الوظيفة فقط لجهاز المشي المزود بوظيفة HRC)

8.1 في حالة التوقف واستخدم زر "PROG" لاختيار "HR1" أو "HR2" أو "HR3". واضغط على زر "START" للبدء.

برنامج "HR1" السرعة القصوى 8.0 كم/ساعة العمر 30/معدل ضربات القلب 124

برنامج "HR2" السرعة القصوى 9.0 كم/ساعة العمر 30/معدل ضربات القلب 143

برنامج "HR3" السرعة القصوى 10.0 كم/ساعة العمر 30/معدل ضربات القلب 162

8.2 إذا استخدم زر الوضع، أدخل إعداد العمر، فستعرض نافذة السرعة 30، مع تحديد العمر من 15 إلى 80 عامًا. (الرجاء الرجوع إلى تفاصيل معدل ضربات القلب كما هو موضح أدناه.)

8.3 بعد ضبط العمر، استخدم زر الوضع، وسيوصي النظام بهدف معدل ضربات القلب وعرضه على النافذة. ولكن للإشارة فقط، يمكن للاستخدام ضبط معدل ضربات القلب وفقًا لحالة الجسم لزيادة معدل ضربات القلب أو تقليل معدل ضربات القلب. يمكن ضبط معدل ضربات القلب من 86-179.

8.4 بعد قيام المستخدم بتعيين العمر ومعدل ضربات القلب، اضغط على زر الوضع لإدخال إعداد الوقت، وستعرض نافذة الوقت الساعة 10:00 كإعداد افتراضي. يمكن أن يتراوح إعداد الوقت بين 5-99 دقيقة.

8.5 اضغط على زر الوضع للدخول إلى حالة الانتظار، أو اضغط على زر ابدأ للبدء.

8.6 أثناء استخدام برنامج HRC، يمكنك استخدام زر السرعة، لكن النظام سيظل يضبط السرعة لإغلاق هدف معدل ضربات القلب.

8.7 ابدأ برنامج HRC، في الدقيقة الأولى الأولى هي وقت الإحماء، ولن يقوم النظام بضبط السرعة. بعد دقيقة واحدة، سيقوم النظام بضبط السرعة بمقدار 0.5 كم/ساعة في كل مرة لإغلاق هدفك المحدد. عند إضافة السرعة إلى السرعة القصوى ولم تصل بعد إلى معدل ضربات القلب المستهدف، فسيقوم النظام بزيادة تمرينك. إذا كان معدل ضربات القلب أكثر من هدفك المحدد، المستوى بمقدار مستوى واحد/10 ثوانٍ حتى 0، وإذا كان معدل ضربات قلبك لا يزال أعلى من الهدف، فسنقوم بتقليل 0.5 كم/ساعة كل 10 ثوانٍ.

**ملاحظة:** يجب استخدام حزام الصدر اللاسلكي لبرامج HRC.

#### 4. البدء السريع (الوضع اليدوي):

4.1 قم بتشغيل مفتاح الطاقة، ويتم امتصاص قفل الأمان المغناطيسي بشكل صحيح في اللوحة الموجودة أسفل موضع قفل الأمان.

4.2 اضغط على زر البدء "START"، ويدخل النظام ثلاث ثوانٍ من العد التنازلي، وأصوات الجرس، والعد التنازلي لعرض الوقت، والعد التنازلي لمدة 3 ثوانٍ بعد سرعة تشغيل جهاز المشي 1 كم/ساعة.

4.3 بعد البدء المطلوب، استخدم المفاتيح "SPEED، SPEED +" - لضبط سرعة جهاز المشي؛

#### 5 أثناء حركة العملية:

5.1 سيعمل مفتاح "السرعة -" على تقليل سرعة تشغيل جهاز المشي.

5.2 يعمل مفتاح "+ Speed" على زيادة سرعة تشغيل جهاز المشي.

5.3 اضغط على زر "إيقاف"، وسيتوقف جهاز المشي عن العمل.

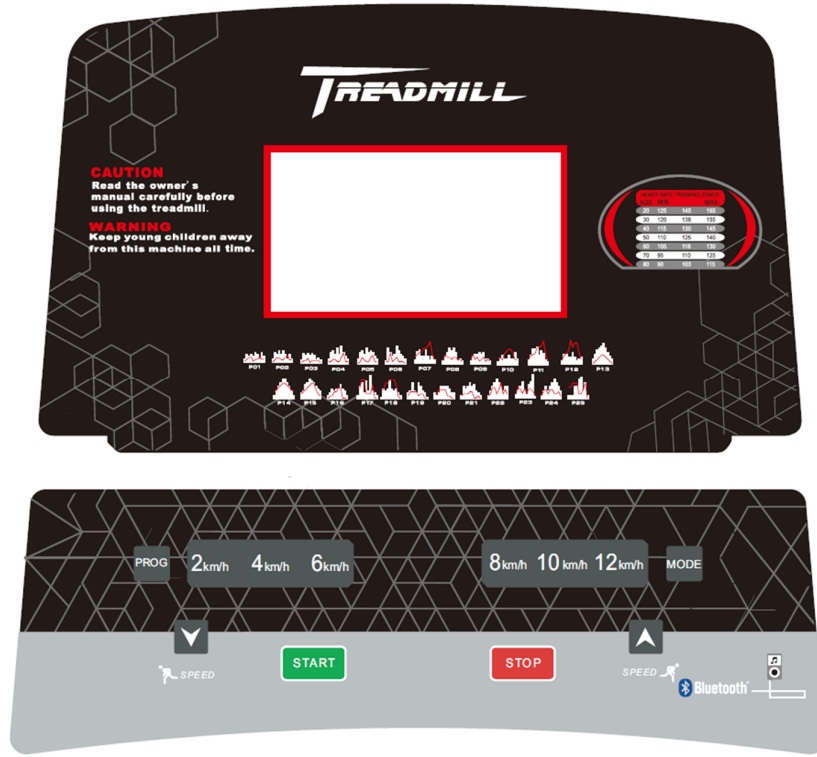
5.4 حوالي خمس ثواني عند حركة نبضات القلب بكلتا اليدين وقبضة اليد بيانات نبضات القلب.

#### 6. برامج محددة مسبقاً.

برنامج	وقت	ضبط الوقت/ 10 = كل فترة زمنية									
		1	2	3	4	5	6	7	8	9	10
P01	سرعة	2	4	3	4	3	5	4	2	5	3
P02	سرعة	2	5	4	6	4	6	4	2	4	2
P03	سرعة	2	5	4	5	4	5	4	2	3	2
P04	سرعة	3	6	7	5	8	5	9	6	4	3
P05	سرعة	3	6	7	5	8	6	7	6	4	3
P06	سرعة	2	8	6	4	5	9	7	5	4	3
P07	سرعة	2	6	7	4	4	7	4	2	4	2
P08	سرعة	2	4	6	8	7	8	6	2	3	2
P09	سرعة	2	4	5	5	6	5	6	3	3	2
P10	سرعة	2	3	5	3	3	5	3	6	3	3
P11	سرعة	3	5	8	8	9	5	7	6	3	2
P12	سرعة	2	5	5	4	4	6	4	2	3	4
P13	سرعة	3	5	7	8	9	10	8	6	4	3
P14	سرعة	2	4	6	8	10	10	8	6	4	2
P15	سرعة	3	4	7	8	10	9	8	6	5	4
P16	سرعة	2	3	5	4	5	5	7	5	4	2
P17	سرعة	2	6	8	3	9	4	12	4	3	2
P18	سرعة	1	5	4	5	9	5	4	5	3	2
P19	سرعة	3	4	8	4	3	8	6	4	3	1
P20	سرعة	3	2	3	6	6	6	6	5	3	3
P21	سرعة	2	6	5	6	8	6	7	4	3	2
P22	سرعة	2	4	6	8	10	8	6	4	6	6
P23	سرعة	2	4	6	8	4	2	7	8	12	1
P24	سرعة	2	4	6	4	6	8	10	8	6	4
P25	سرعة	2	2	2	6	6	10	11	4	8	2

# دليل العمليه

## 1. صورة تراكب وحدة التحكم:



## 2. نافذة العرض:

- 2.1 نافذة "السرعة": عرض السرعة الحالية، نطاق السرعة: 1.0--18 كم/ساعة، عند استخدام البرامج المعدة مسبقًا، سيتم عرض "P01-P02-...-P25-U01-U02-U03-HR1-HR3"-سمين
- 2.2 عرض "الوقت": عرض وقت التمرين، والتوقيت الإيجابي من 0:00 إلى 99:59.
- 2.3 "المسافة": عرض مسافة الجري، العد للأمام من 0.00-99.9
- 2.4 "CAL/PULSE": الحركة تحرق السعرات الحرارية المستهلكة، قيمة السعرات الحرارية من 999-0، عرض نبض اليد من 200-50

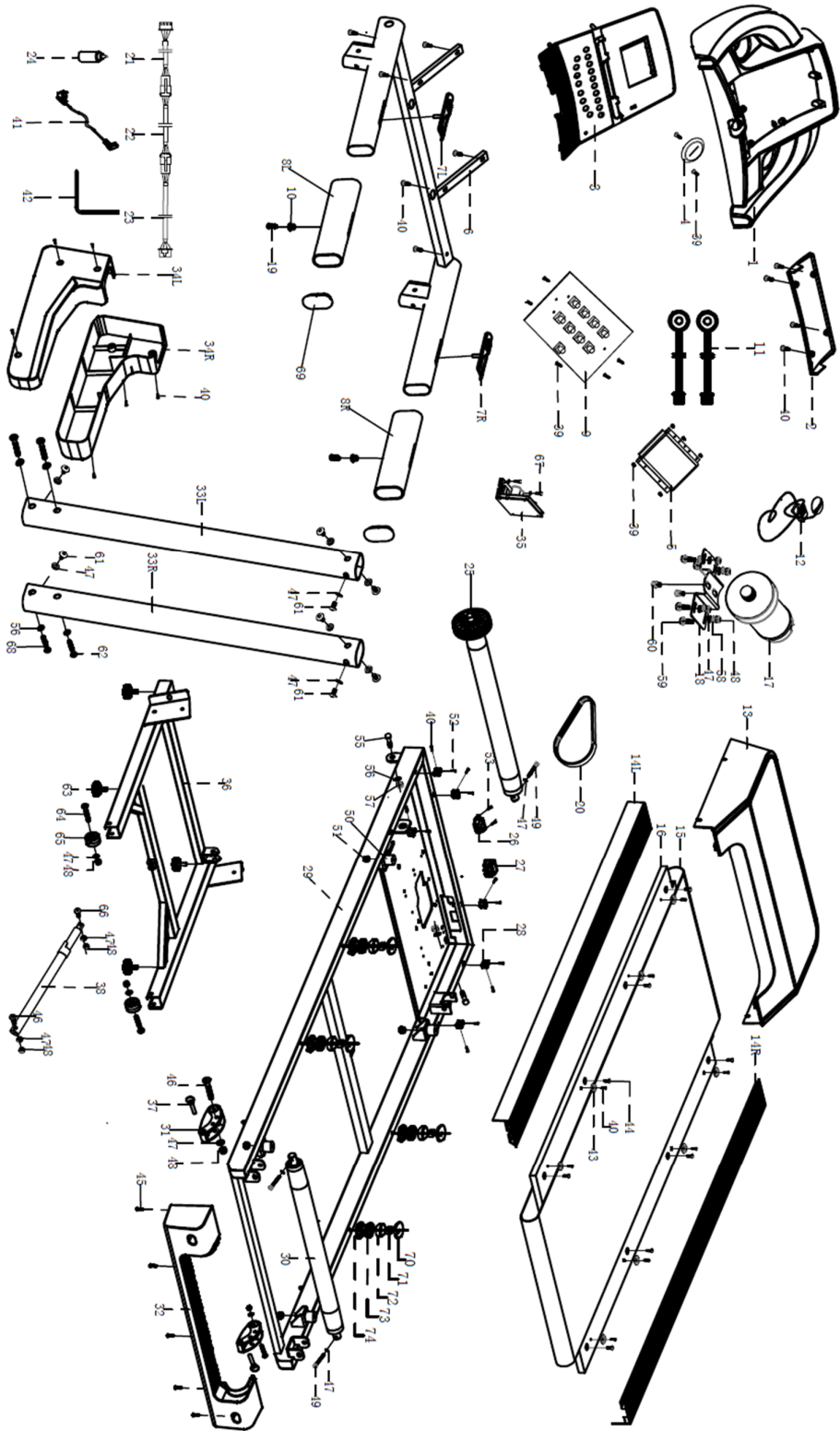
## 3. الوظائف الرئيسية:

- 3.1 "بدء" تشغيل الجهاز، "إيقاف" إيقاف جهاز المشي.
- 3.2 سرعة "+" : زر السرعة +، في حالة التشغيل، اضغط عليه سيتم إضافة 0.1 كم/ساعة في كل مرة، اضغط عليه لفترة طويلة، وستضيف السرعة باستمرار؛
- 3.3 السرعة "-" : زر السرعة، في حالة التشغيل، اضغط عليه سيقول 0.1 كم/ساعة في كل مرة، اضغط عليه لفترة طويلة، وسوف تقلل السرعة باستمرار.
- 3.4 الوضع: زر الوضع في حالة التوقف، حدد وقت العد التنازلي ومسافة العد التنازلي والسعرات الحرارية للعد التنازلي بشكل دائري.
- 3.5 أزرار السرعة السريعة: 2 كم/ساعة، 4 كم/ساعة، 6 كم/ساعة، 8 كم/ساعة، 10 كم/ساعة، 12 كم/ساعة
- 3.6 البرنامج: استخدم هذا الزر لاختيار البرامج.  
P01-P25 هي برامج محددة مسبقًا  
U01-U02-U03 هي برنامج المستخدم  
HP1-HP2-HP3 هي برامج معدل ضربات القلب  
الدهون: اختبار الدهون في الجسم

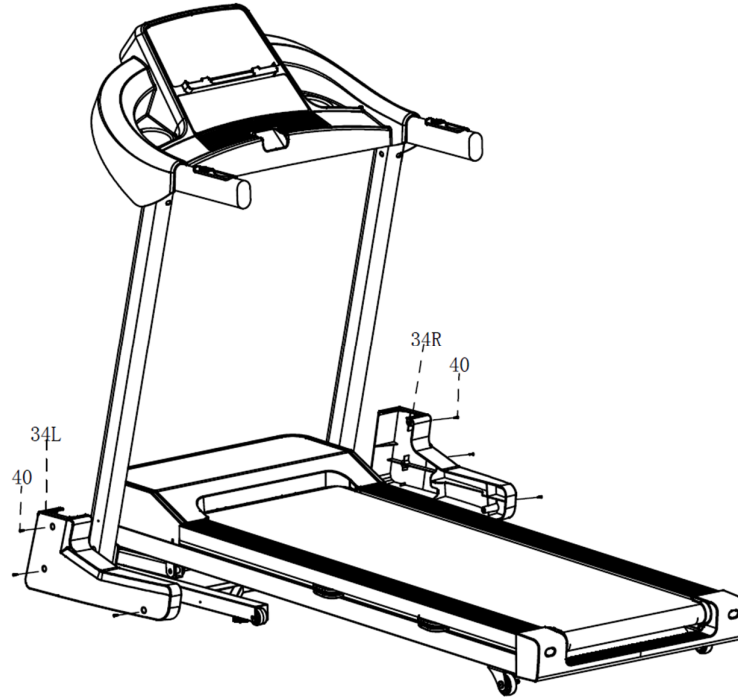
## قائمة قطع الغيار

رقم	اسم الأجزاء	الكمية	رقم	اسم الأجزاء	الكمية
1	وحدة التحكم البلاستيكية	1	39	الترباس $\phi 3 \times 7$	14
2	الغطاء الخلفي لوحدة التحكم	1	40	الترباس $\phi 4.2 \times 13$	43
3	لوحة عرض بلاستيكية	1	41	سلك الطاقة	1
4	قاعدة مفاتيح السلامة	1	42	مفتاح مسدس	1
5	عرض شاشات الكريستال السائل	1	43	مثبت السكك الحديدية الجانبية	8
6	إطار شريط المقبض	1	44	بولت M6X25	8
7	التعامل مع النبض	2	45	بولت st4.2x13	5
8	التعامل مع الرغوة	1	46	بولت M8x45	3
9	لوحة المفاتيح	1	47	غسالة مسطحة M8	21
10	الغلاف البلاستيكي	2	48	الجوز M8	10
11	مكبر الصوت	2	49	بولت M8x55	3
12	مفتاح الأمان	1	50	وسادة M6	4
13	غطاء المحرك	1	51	الجوز M6	4
14	جانب السكة الحديدية	2	52	بولت M4.2x25	6
15	حزام الجري	1	53	بولت M4.2x13	2
16	لوحة الجري	1	54	الترباس M10x30	2
17	محرك	1	55	بولت M10x45	2
18	لوحة قاعدة المحرك	1	56	غسالة مسطحة M10	4
19	البراغي M4x35	2	57	الجوز M10	2
20	حزام المحرك	1	58	غسالة الربيع	4
21	قم بتوصيل الكابل العلوي	1	59	بولت M8x20	4
22	قم بتوصيل الكابل الأوسط	1	60	بولت M8x10	2
23	قم بتوصيل الكابل لأسفل	1	61	بولت M8x16	8
24	زيت التشحيم	1	62	بولت M8x50	2
25	الأسطوانة الأمامية	1	63	مطاط القدم	4
26	قابس كهرباء	1	64	بولت M8x50	2
27	يُحوّل	1	65	تحريك العجلة	2
28	بلاستيك ثابت	6	66	الترباس M8x30	1
29	سطح الإطار	1	67	بولت M4x10	2
30	الأسطوانة الخلفية	1	68	بولت M10x50	2
31	المنحدر اليدوي	2	69	غطاء نهاية بلاستيكي	2
32	نهاية الغطاء	1	70	بولت M4x35	2
33	وظيفة تستقيم	2	71	غطاء بلاستيكي	4
34	الغطاء الجانبي	2	72	وسادة	4
35	لوحة تحكم	1	73	الغلاف البلاستيكي	4
36	إطار قاعدة	1	74	ربيع	4
37	سدادة	2	75	غطاء بلاستيكي	4
38	اسطوانة	1			

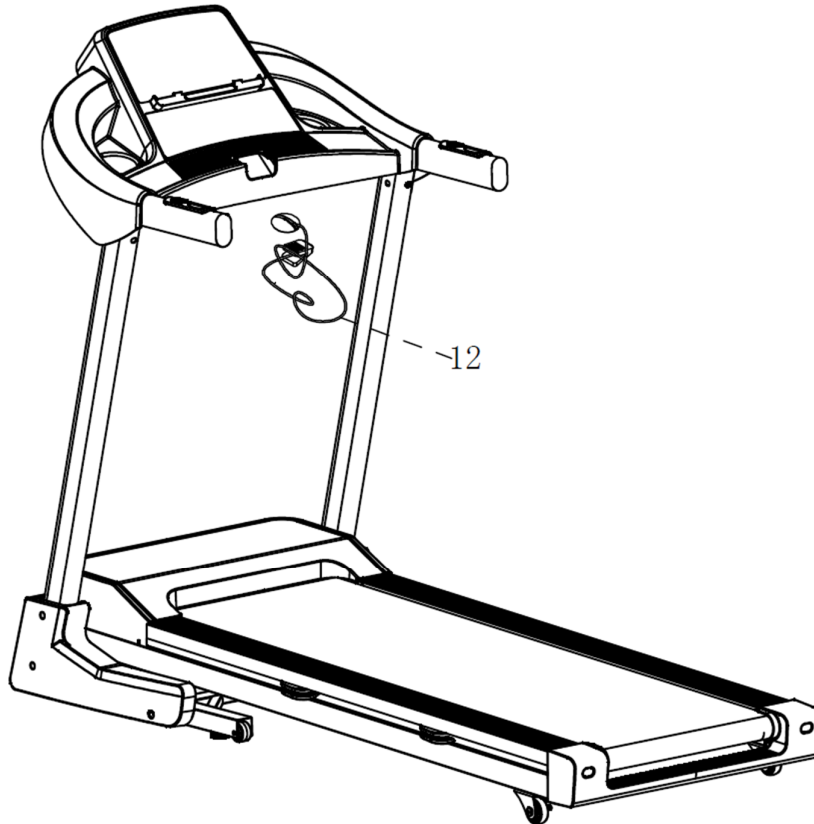
# الرسم المتفجر



**الخطوة الثالثة:** قم بتجميع الأغطية الجانبية على كلا العمودين المستقيمين.  
1. استخدم المسامير المرفق (16\*4.2 ملم - الجزء رقم 40) لتثبيت الغطاء الجانبي (34 طولاً ويميناً) على كلا الجانبين.

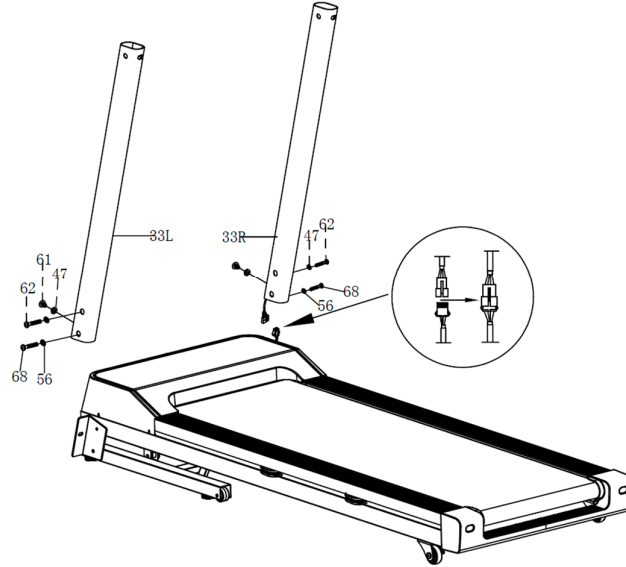


**الخطوة الرابعة:** ضع مفتاح الأمان (12) في الموضع الصحيح



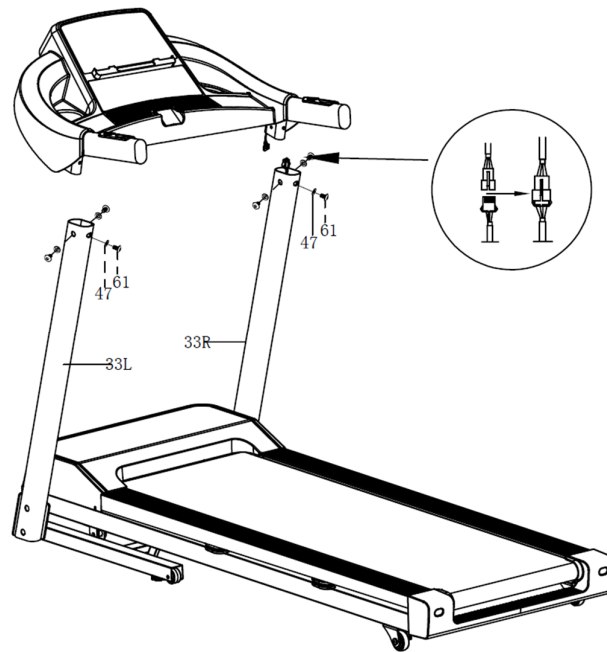
## الخطوة الأولى: تجميع المشاركات

2. قم بتوصيل الكابل من العمود المستقيم R33 والكابل من الإطار الرئيسي.
3. قم بتثبيت العمود المستقيم (R33 و L33) على الجانب الأيمن من الإطار الرئيسي باستخدام البراغي (M8\*16 - جزء رقم 61) والغسالة (M8 الجزء المسطح رقم 47)، والمسمار (M8x50 - جزء رقم 62). (61 مع فلكة (فلكة مسطحة M8 - الجزء رقم 47)، ومسمار (M10 - جزء رقم 68) مع فلكة (فلكة مسطحة M10 - جزء رقم 56).



## الخطوة الثانية: قم بتجميع وحدة التحكم بأكملها على الجهاز



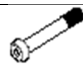


1. قم بتوصيل الكابلات بين وحدة التحكم (رقم 1) والعمود المستقيم الأيمن (R33).
2. ضع الوحدة (1) وضعها بشكل يتوافق مع الفتحات المحفورة مسبقاً على الأعمدة القائمة (R33 و L33). استخدم البراغي المرفقة (M8 \* 16 - الجزء رقم 61) والفلكة (M8 - الجزء رقم 47) لتثبيت الوحدة بالأعمدة المستقيمة.

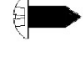






## تعليمات التجميع

عندما تفتح الكرتون، ستجد قطع الغيار أدناه.  
قائمة قطع الغيار

قائمة تعبئة الأجهزة:

كمية	وصف
8	 M8X16 ملم. بولت
2	 M8X50 مم الترياس
2	 بولت M10X60MM
10	 غسالة M8 (قطر xØ16xT1.68.5)
2	 غسالة M10 (قطر xØ21xT1.610.5)

كمية	وصف
6	 بولت 4.2x16mm
1	 مفتاح الأمان
1	 زيت التشحيم
1	 ألين وجع S5
1	 مفتاح ألين S6

### ملحوظة:

1. الأجزاء الموضحة أعلاه هي جميع الأجزاء التي تحتاجها لتجميع جهاز المشي هذا. قبل البدء في التجميع، يرجى التحقق من عبوة الأجهزة للتأكد من أنها متضمنة.
2. يرجى العثور على الأدوات الموجودة في حزمة الأجهزة لمساعدتك في تجميع جهاز المشي هذا بشكل أسهل.

## السلامة الكهربائية:

يجب تأريض جهاز المشي الآلي هذا. وفي حالة تعرضها للكسر أو حدوث عطل، فإن التأريض يقلل من خطر التعرض للصدمة. جهاز المشي مزود بسلك طاقة مزود بموصل تأريض الجهاز وقابس تأريض. يجب إدخال القابس في منفذ مناسب تم تركيبه وتأريضه بشكل صحيح وفقاً لجميع القوانين واللوائح المحلية.

## مهم:

يمكن أن يؤدي التوصيل غير الصحيح لموصل تأريض الجهاز إلى خطر التعرض لصدمة كهربائية. إذا كانت لديك شكوك حول ما إذا كان جهاز المشي مؤرضًا بشكل صحيح، فارجع إلى كهربائي مؤهل أو شخص صيانة. لا تقم بتعديل القابس المرفق مع جهاز المشي. إذا لم يكن مناسبًا للمنفذ، فقم بتركيب منفذ مناسب بواسطة فني مؤهل.

## حماية الطفرة:

على الرغم من أن جهاز المشي هذا مزود بنظام حماية مدمج من زيادة التيار، إلا أنه لا يزال يوصى باستخدام واقي خارجي من زيادة التيار. سيتم إيقاف تشغيل جهاز المشي تلقائيًا إذا واجه زيادة في الطاقة. يوجد زر إعادة الضبط في الجزء الأمامي السفلي من غطاء المحرك. إذا كان يجب إيقاف تشغيل جهاز المشي، فأدر مفتاح التشغيل/الإيقاف إلى وضع "إيقاف التشغيل"، ثم اضغط على زر إعادة الضبط. سوف يعمل جهاز المشي الآن بشكل صحيح.

## تعليمات أمنية هامة

1. الآلة للاستخدام المنزلي
2. الجهد الكهربائي للآلة هو 220 فولت.
3. قبل تشغيل الجهاز، يرجى القيام بالإحماء لمدة 10 دقائق وارتداء الملابس والأحذية المناسبة للرياضة.
4. لا تقف على جهاز المشي الآلي عند ضبط جهاز المشي الآلي أو اختباره أو تشغيله.
5. كن حذرًا عند صعودك إلى الجهاز أو نزوله منه. قبل تشغيل الماكينة، يرجى الإمساك بالمقود ووضع قدميك على القضبان الجانبية (وليس على حزام الجري). بعد تشغيل الماكينة، قف على الحزام مع تشغيل الماكينة بأقل سرعة. ثم قم بزيادة السرعة تدريجياً. قبل النزول من الآلة، يرجى تقليل السرعة إلى أدنى مستوى في حالة وجود أي خطر.
6. عند التشغيل، اضغط على زر الأمان في أي وقت، وسيوقف المحرك عن العمل وستصدر وحدة التحكم تحذيرات.
7. يجب أن يكون الأطفال تحت إشراف البالغين عندما يلعبون على الجهاز أو بجانبه.
8. يجب حماية جهاز المشي الآلي من أشعة الشمس والرطوبة والأوساخ. يجب تنظيف جميع الأجزاء في كثير من الأحيان.
9. عندما لا يتم استخدام الجهاز لفترة طويلة، يرجى عدم وضع أي أشياء أو الوقوف على الجهاز.

## من أجل سلامتك الشخصية، يُرجى العلم بما يلي:

- تجميع وتشغيل جهاز المشي على سطح مستو صلب. احتفظ بمسافة لا تقل عن أربعة أقدام حول جهاز المشي في جميع الأوقات.
- قم دائمًا بإدخال مفتاح الأمان وربط المشبك بملابسك على خصرك قبل بدء التمرين. إذا واجهت مشكلات وتحتاج إلى إيقاف المحرك بسرعة، فما عليك سوى سحب السلك لفصل مفتاح الأمان من وحدة التحكم. لمواصلة التشغيل، ما عليك سوى إعادة إدخال مفتاح الأمان في وحدة التحكم.
- في حالة تلف سلك التيار الكهربائي، يجب استبداله من قبل الشركة المصنعة أو وكيل الخدمة التابع لها أو أشخاص مؤهلين بشكل مماثل لتجنب المخاطر.
- قم بإزالة مفتاح الأمان وقم بتخزينه في مكان آمن عندما لا يكون جهاز المشي قيد الاستخدام. احتفظ بمفتاح الأمان بعيدًا عن متناول الأطفال.
- قم بارتداء الملابس والأحذية المناسبة للتمرين. لا ترتدي ملابس أو أحذية فضفاضة بنعال جلدية أو كعب. تأكد من ربط الشعر الطويل للخلف.
- أبعد جميع الملابس والمناشف الفضفاضة عن سطح الجري. لن يتوقف الحزام فورًا إذا علق جسم ما في البكرات أو الحزام. في حالة اكتشاف أي شيء، قم بإيقاف تشغيل الوحدة على الفور.
- توخي الحذر عند الصعود إلى جهاز المشي أو النزول منه. استخدم الدرابزين كلما أمكن ذلك. لا تصعد على سير الجري إلا عندما يسير بسرعة بطيئة جدًا. لا تنزل عن جهاز المشي أثناء تحرك الحزام.
- للصعود أو النزول من سطح الجري، قم بالوقوف على سطح الجري من خلال الوقوف على المنصتين اليمنى واليسرى على كل جانب من جوانب الحزام قبل بدء الحزام (لبدء التمرين) وبعد توقفه (في نهاية التمرين).
- لا تحاول مطلقًا الاستدارة أثناء وجودك على جهاز المشي والحزام متحرك. أبق رأسك وجسمك متجهين للأمام في جميع الأوقات.
- لا تقم مطلقًا بتشغيل جهاز المشي أثناء وقوف شخص ما على سطح الجري.
- لا تهز جهاز المشي أو تقف على الدرابزين أو وحدة التحكم بالكمبيوتر في أي وقت.
- لا تجهد نفسك أثناء التمرين. أوقف تمرينك على الفور إذا شعرت بالإرهاق. إذا شعرت بأي ألم أو إزعاج، يرجى استشارة الطبيب.
- لا تحاول إجراء أي خدمة على جهاز المشي بنفسك بخلاف التجميع والصيانة الموضحة في هذا الدليل. جهاز المشي مخصص للاستخدام المنزلي فقط. يرجى الرجوع إلى معلومات خدمة العملاء الواردة في هذا الدليل إذا كان جهاز المشي الخاص بك يحتاج إلى خدمة إضافية بخلاف تلك الموضحة في هذا الدليل.
- هذا الجهاز غير مخصص للاستخدام من قبل الأشخاص (بما في ذلك الأطفال) ذوي القدرات البدنية أو الحسية أو العقلية المنخفضة، أو الذين يفتقرون إلى الخبرة والمعرفة، ما لم يتم الإشراف عليهم أو تعليمات بشأن استخدام الجهاز من قبل شخص مسؤول عن سلامتهم. يجب مراقبة الأطفال للتأكد من عدم عبثهم بالجهاز.

## مميزات جهاز المشي

تهانينا وشكرًا لاختيارك جهاز المشي الآلي. لقد اتخذت الخطوة الأولى نحو أسلوب حياة أكثر صحة وأكثر فائدة. تم تصميم جهاز المشي خصيصًا لتلبية احتياجاتك. وفيما يلي ملامح حلقة مفرغة.

- نطاق السرعة: 0.8~18 كم/ساعة
- الميل: 3 مستويات انحدار يدوي
- نبض اليد
- 25 برنامجاً مسبقاً
- برامج الموارد البشرية (لإصدار HRC فقط)
- Fitshow بلوتوث
- جهد الدخل: 220 فولت، 50-60 هرتز
- قابلة للطّي وسهلة الحركة

## احتياطات

لتقليل مخاطر التعرض لصدمة كهربائية أو حروق أو حريق أو أي إصابة أخرى، يرجى قراءة التنبيهات والمعلومات التالية قبل تشغيل جهاز المشي هذا.

- تقع على عاتق المالك مسؤولية التأكد من أن جميع مستخدمي جهاز المشي هذا على علم بجميع التحذيرات والاحتياطات.
- أبعد الحيوانات الأليفة والأطفال الصغار عن جهاز المشي في جميع الأوقات.
- لا تقم مطلقاً بتشغيل جهاز المشي أثناء وقوفك على سير المشي.
- جهاز المشي قادر على العمل بسرعات عالية. لتجنب القفزات المفاجئة في السرعة، اضبط السرعة بزيادات صغيرة.
- قم بفحص جميع أجزاء جهاز المشي وإحكام ربطها بانتظام. أبق يديك بعيداً عن جميع الأجزاء المتحركة.
- لا تترك جهاز المشي دون مراقبة أبداً أثناء تشغيله. قم دائماً بإزالة مفتاح الأمان وحرك مفتاح التشغيل/الإيقاف إلى وضع "إيقاف التشغيل" عندما لا يكون جهاز المشي قيد الاستخدام. ارجع إلى صفحة تعليمات وحدة التحكم في هذا الدليل للتعرف على موقع مفتاح التشغيل/الإيقاف وتشغيله.
- لا تترك جهاز المشي أبداً دون مراقبة عند توصيله بالتيار الكهربائي.
- عند طي جهاز المشي أو تحريكه، تأكد من تعشيق قفل الأمان بالكامل. لا تقم بإزالة غطاء المحرك إلا إذا طلب منك ممثل الخدمة المعتمد القيام بذلك. يجب إجراء الصيانة بخلاف الإجراءات الواردة في هذا الدليل فقط بواسطة ممثل خدمة معتمد.
- احتفظ بالقابض وسلك الطاقة بعيداً عن الأسطح الساخنة.

احتفظ بجميع المكونات الكهربائية، مثل المحرك وسلك الطاقة ومفتاح التشغيل/الإيقاف، بعيداً عن الماء أو السوائل الأخرى لمنع حدوث صدمة. لا تضع أي شيء على الدريزين أو وحدة التحكم بالكمبيوتر أو الحزام.

## جدول المحتويات

٣	مميزات جهاز المشي
٣	احتياطات
٥	تعليمات أمنية هامة
٦	تعليمات التجميع
٩	الرسم المتفجر
١٠	قائمة قطع الغيار
١١	دليل العمليه
١٧	تعليمات الصيانة
١٩	دليل التدريب
٢٢	استكشاف الأخطاء وإصلاحها



# Need Help?

تحتاج مساعدة؟

Call For Technical Support.  
اتصل للحصول على الدعم الفني.

**United Arab Emirates**

الإمارات العربية المتحدة

+971 56 501 5399

+971 54 308 4588

[customercare@topskyland.com](mailto:customercare@topskyland.com)

<https://topskyland.com>

**Saudi Arabia**

المملكة العربية السعودية

+966 50 819 8548

+966 59 643 1174

[customerservice@topskyland.com](mailto:customerservice@topskyland.com)

<https://sa.topskyland.com>